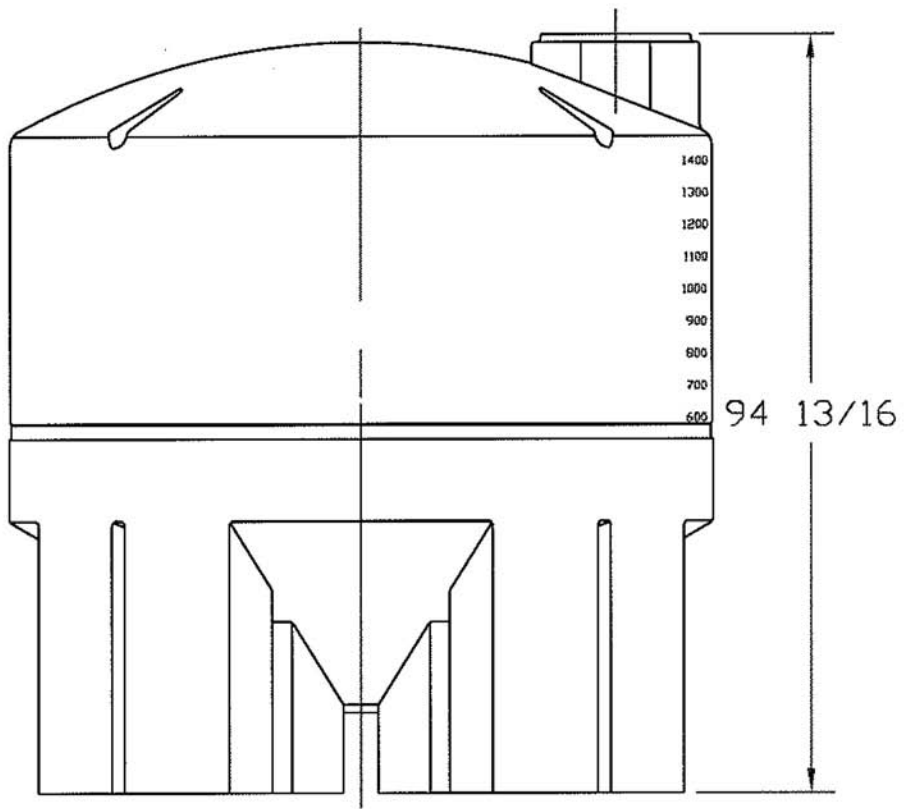


REVISIONS				
ZONE	REV	DESCRIPTION	DATE	APPROVED



		 PEABODY engineering			
		1600 GALLON CONE BOTTOM TANK & STAND			
JTP	13MAY97	SIZE A	FSCM NO.	DWG NO.	REV
		SCALE 1/24			SHEET