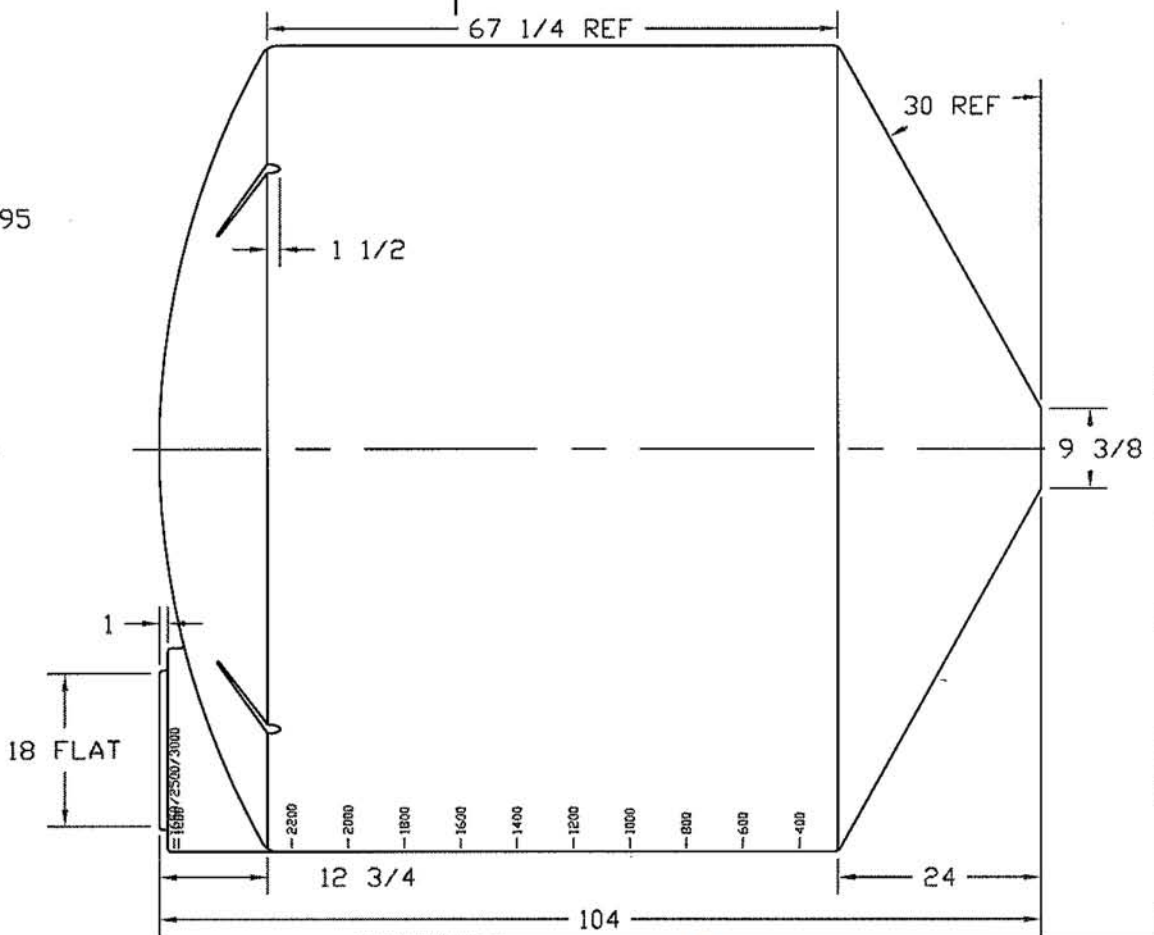
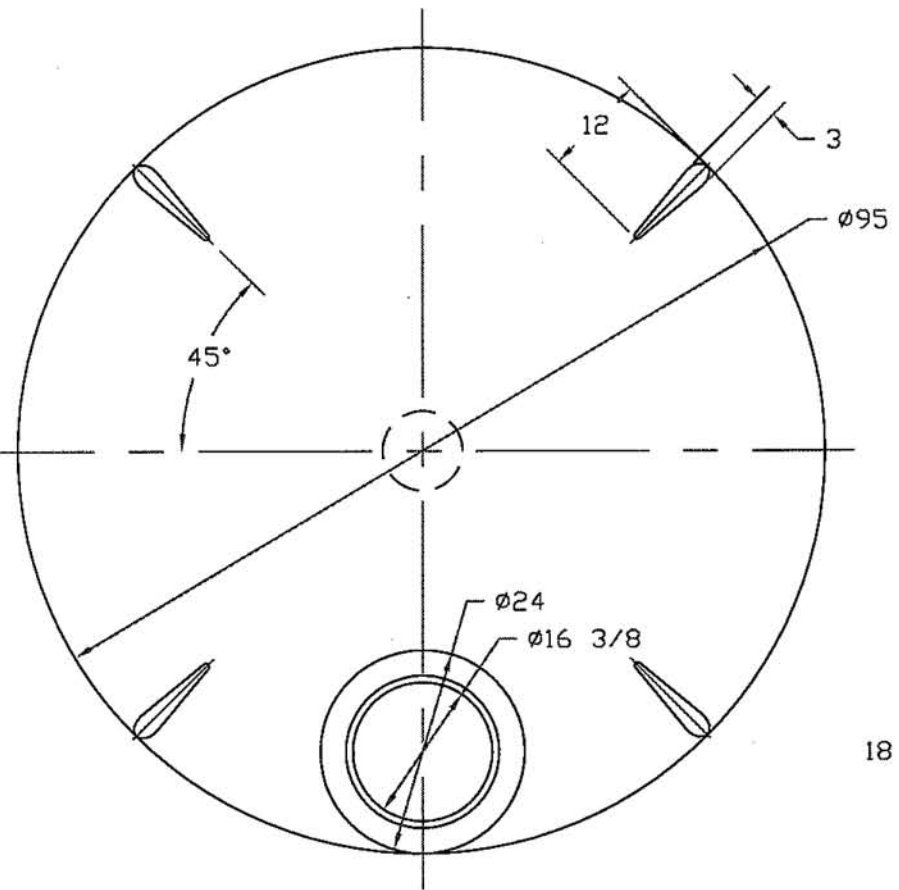



ZONE	REV	DESCRIPTION	DATE	APPROVED
	A	REDRAWN	10JAN97	



JTP 10JAN97		 PEABODY engineering		2500 GALLON CONE BOTTOM TANK	
				SIZE B	FSCM NO.
SCALE 1/16		SHEET			