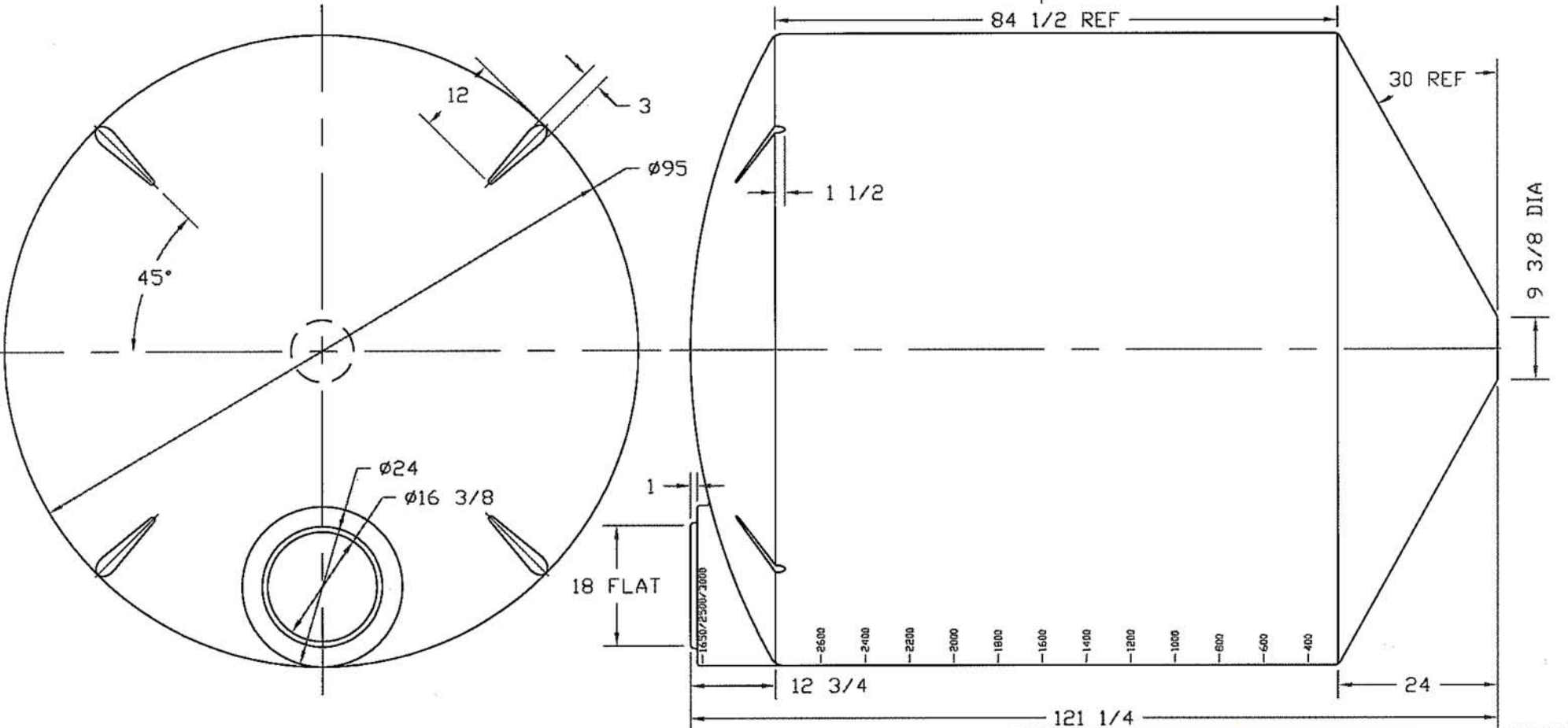



REVISIONS				
ZONE	REV	DESCRIPTION	DATE	APPROVED
	A	REDRAWN	10JAN97	



		 <b>PEABODY</b> engineering	
		<b>3000 GALLON CONE BOTTOM TANK</b>	
JTP	10JAN97	SIZE B	FSCM NO.
		DWG NO.	REV A
		SCALE 1/16	SHEET