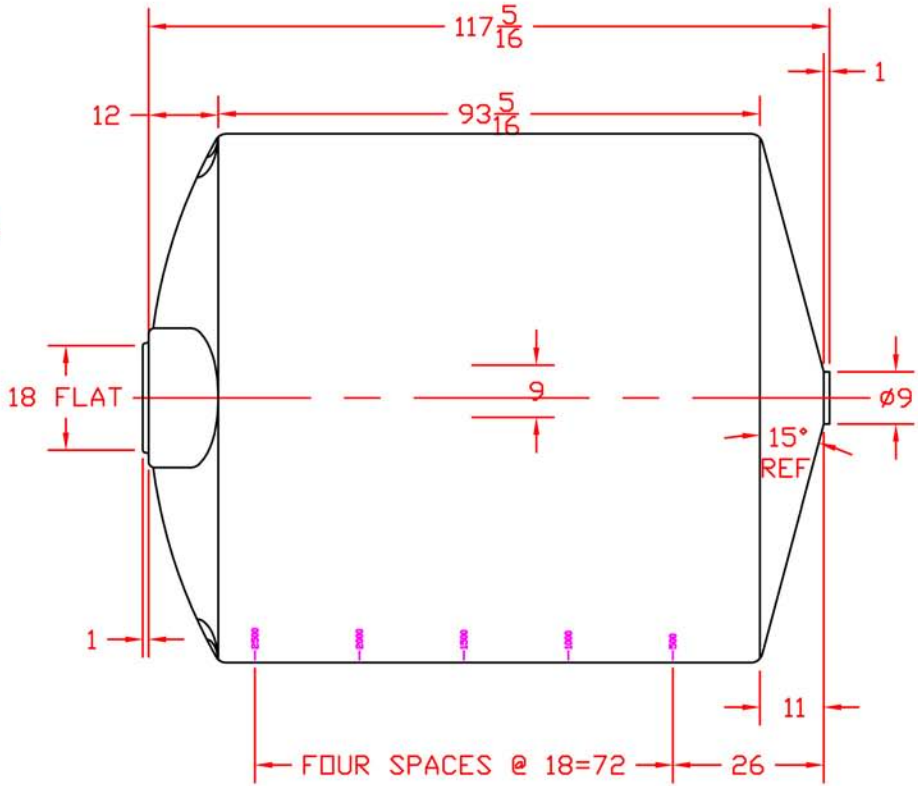
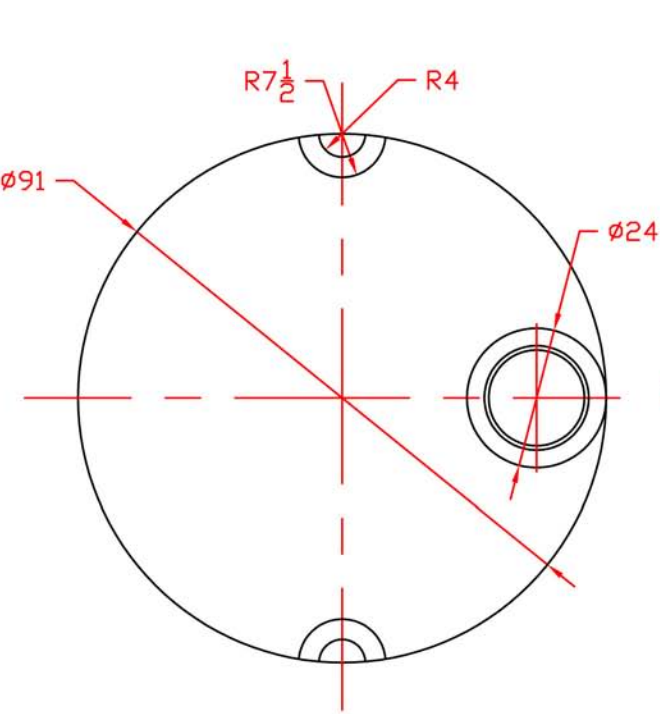



| ZONE | | REV | DESCRIPTION | REVISIONS | DATE | APPROVED |
|------|--|-----|-------------|-----------|------|----------|
| | | | | | | |



| | | | | | |
|-------------|--|--|----------|-----------------------------------|-----|
| JTP 21SEP98 | |  PEABODY engineering | | 3000 GAL CONE BOTTOM TANK X 15DEG | |
| | | SIZE B | FSCM NO. | DWG NO. | REV |
| SCALE 1/24 | | SHEET | | | |