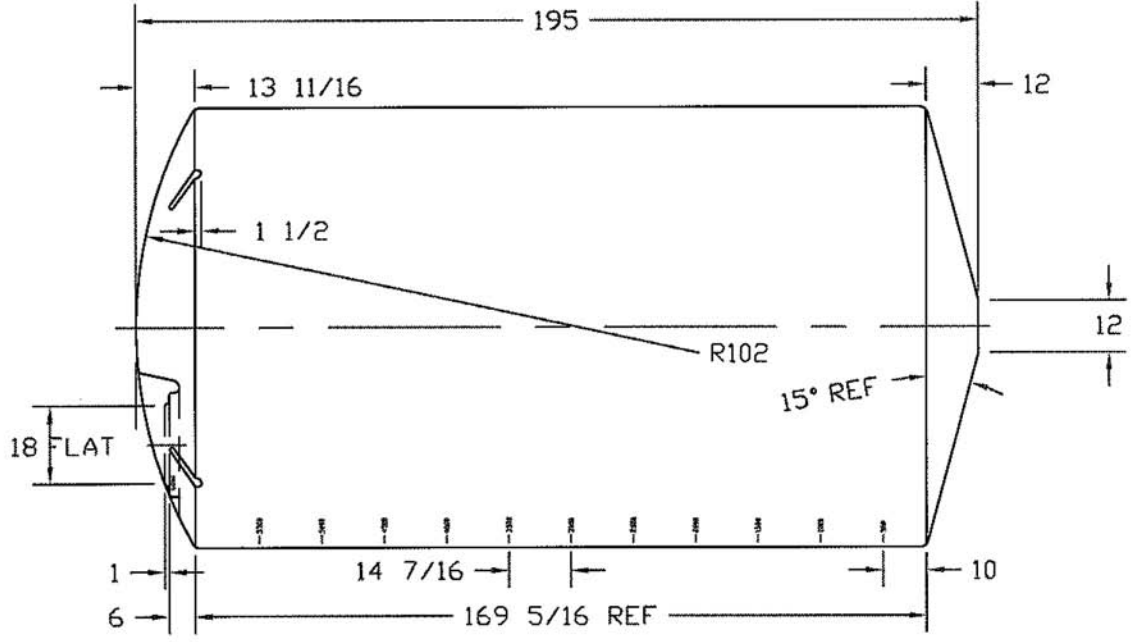
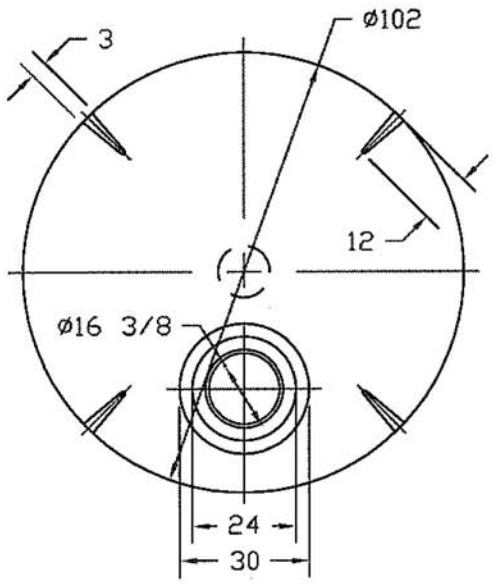



ZONE	REV	DESCRIPTION	DATE	APPROVED



		<b>6000 GALLON CONE BOTTOM STORAGE TANK</b>		
		SIZE B	FSCM NO.	DWG NO.
JTP 17NOV98	SCALE 1/32		SHEET	