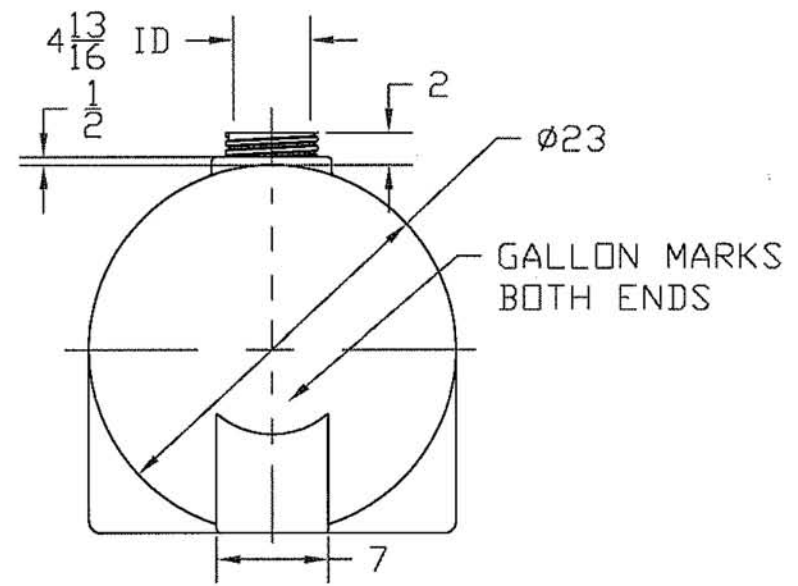
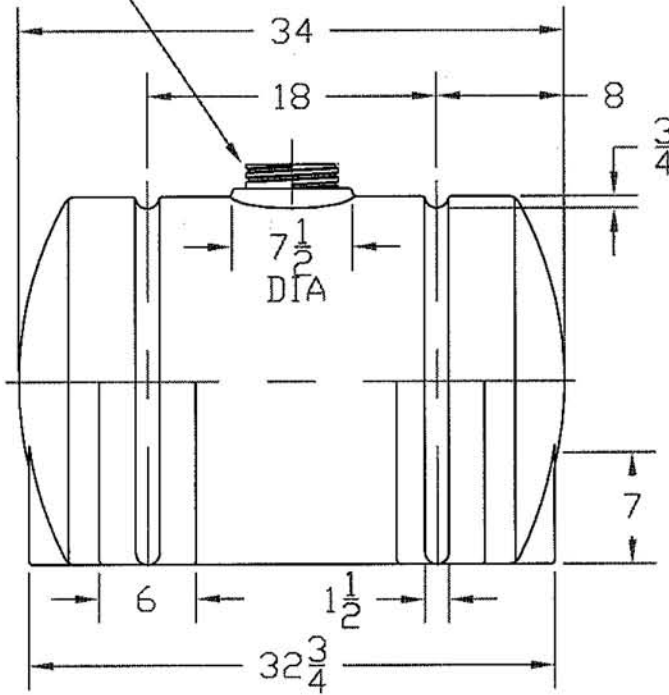



REVISIONS

ZONE	REV	DESCRIPTION	DATE	APPROVED

ACME THREAD  
 5-3/4 MAJOR DIA  
 5-3/8 MINOR DIA  
 9/16 PITCH



					
		55 GALLON HORIZONTAL TANK			
JTP	25AUG03	SIZE A	FSCM NO.	DWG NO.	REV
		SCALE 1/12			SHEET