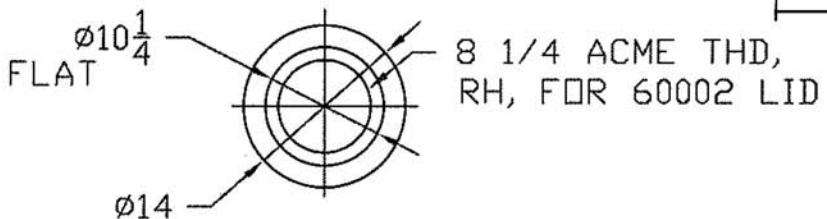
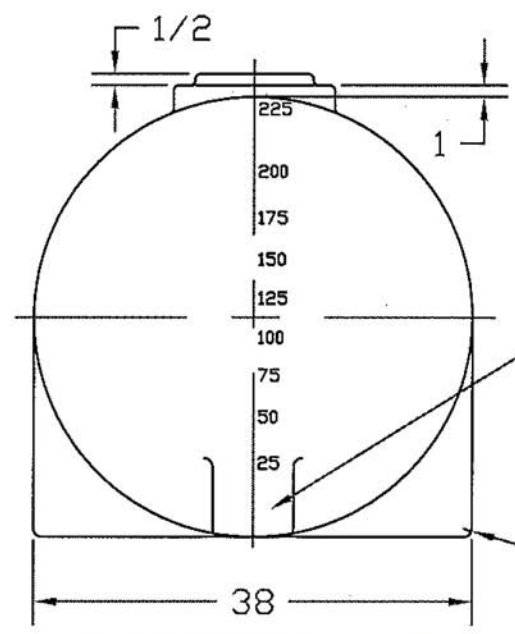
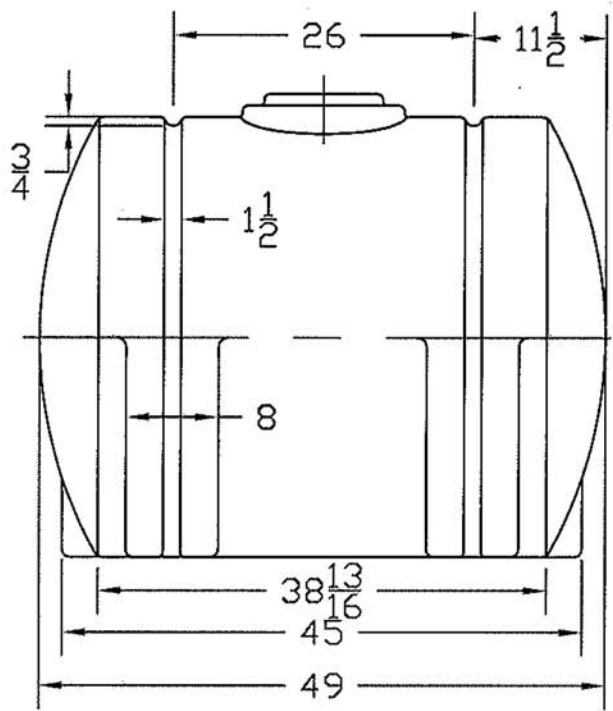


REVISIONS				
ZONE	REV	DESCRIPTION	DATE	APPROVED
	A	OH ADDED	04JAN05	
	B	IA ADDED	21JUN06	



NOTE: GALLONAGE MARKS ON BOTH ENDS



7 X 7 FLAT BOTH ENDS

- 31.6
- 27.6
- 24
- 20.7
- 17.3
- 14
- 10.4
- 6.4
- 0

		225 GALLON HORIZONTAL LEG TANK			
JTP	07MAR96	SIZE A	FSCM NO.	DWG NO. 40299	REV A
		SCALE 1/16		SHEET 2 OF 2	