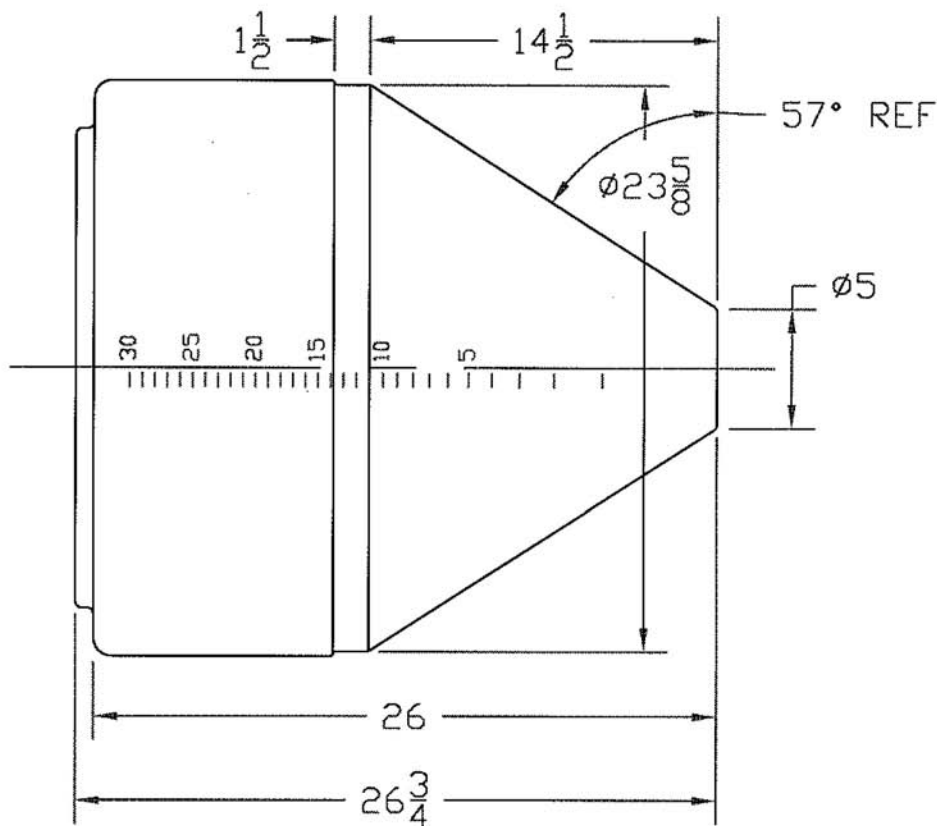
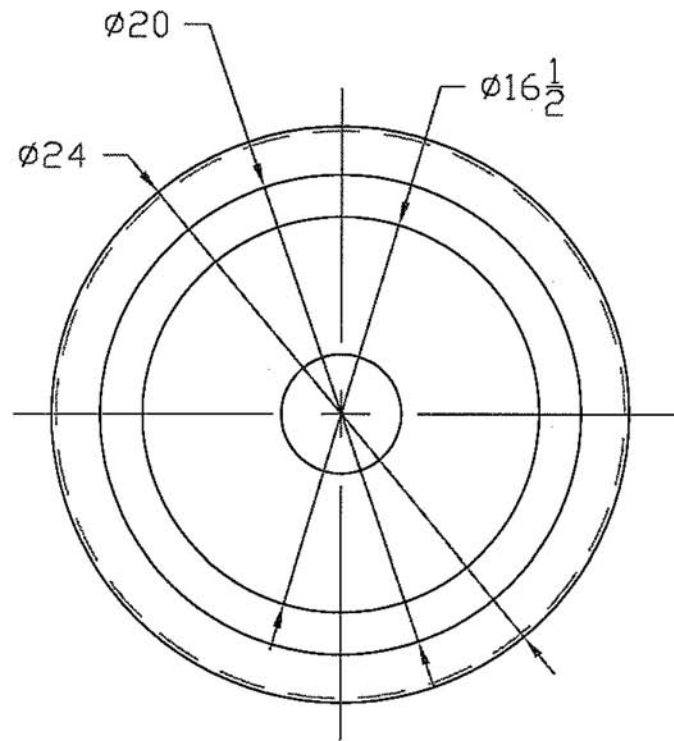



REVISIONS				
ZONE	REV	DESCRIPTION	DATE	APPROVED



					
		30 GALLON INDUCTOR TANK x 24 DIA			
JTP	02APR04	SIZE A	FSCM NO.	DWG NO.	REV
		SCALE 1/8			SHEET