

8 7 6 5 4 3 2 1

D

C

B

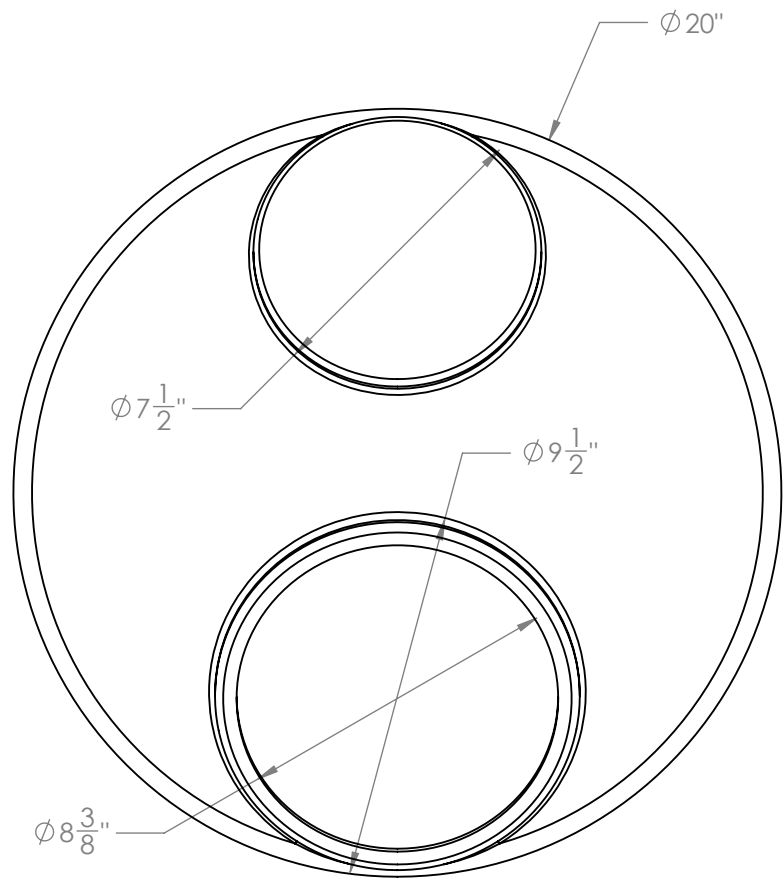
A

D

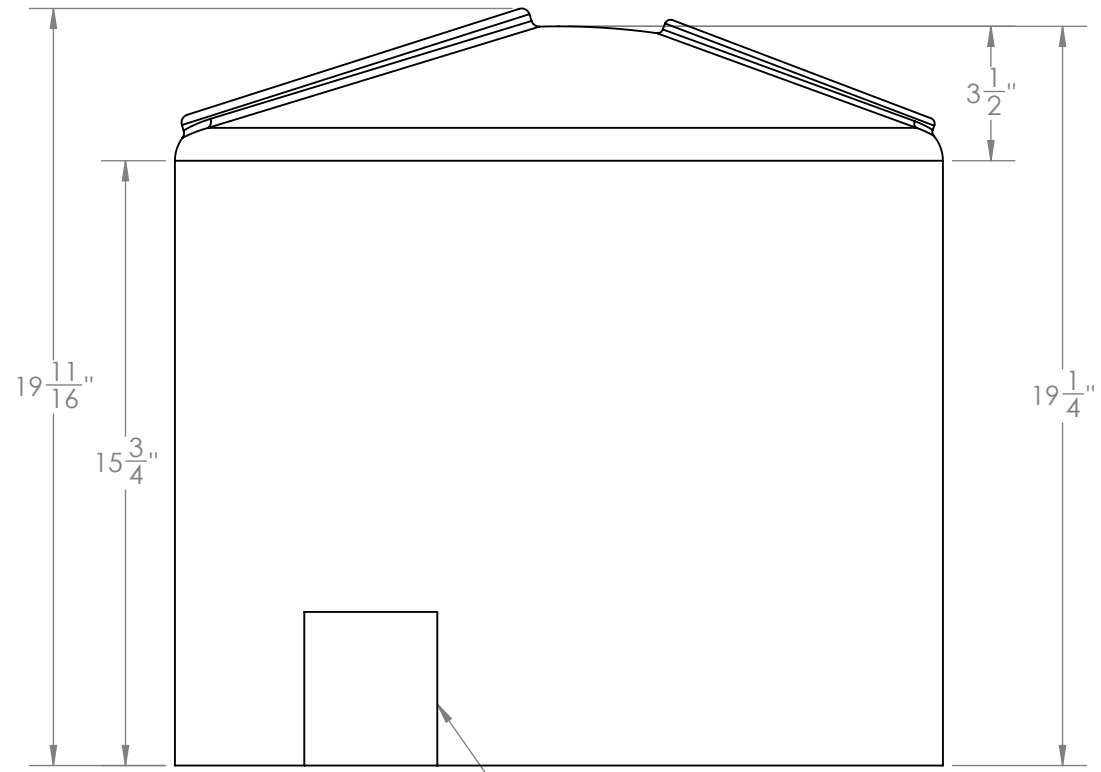
C

B

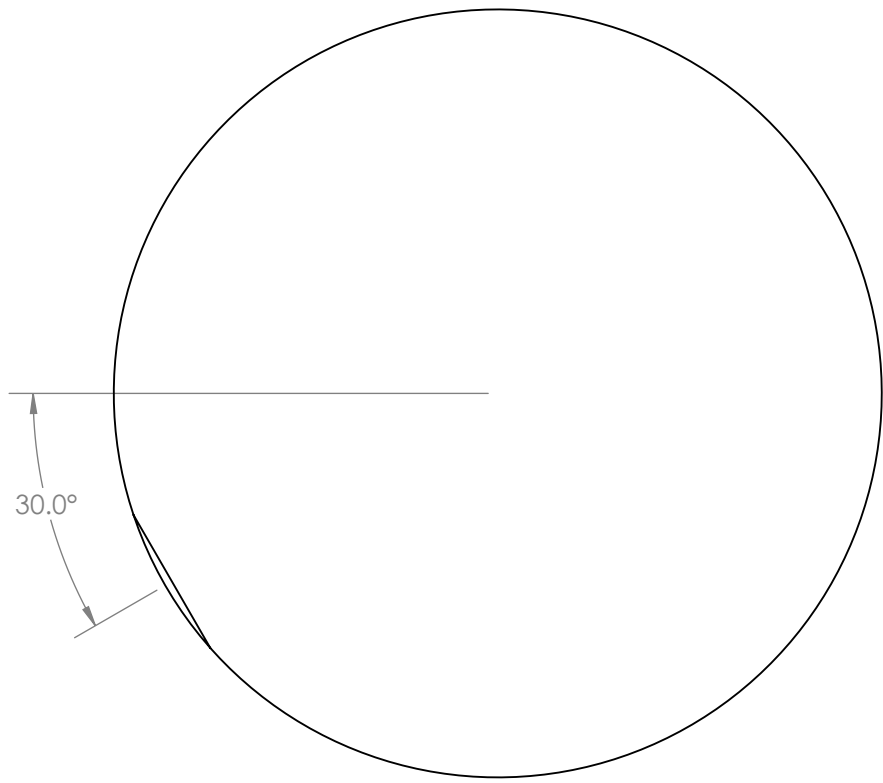
A



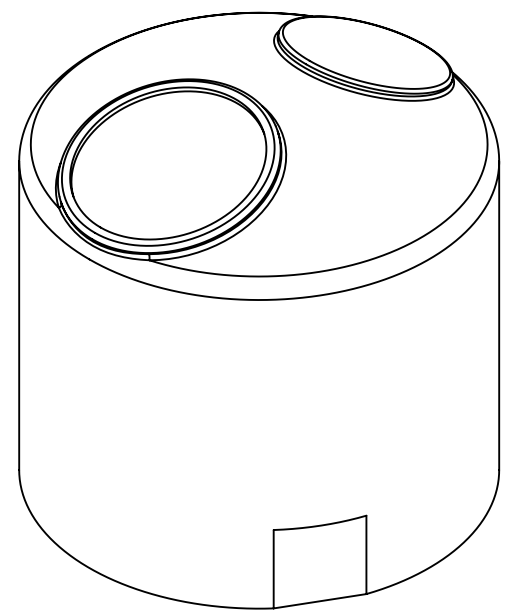
TOP VIEW



SIDE VIEW




BOTTOM VIEW



ISO VIEW
SCALE 1:8

STANDARD SPECS:
8" FILL OPENING,
(1) 3/4" POLYPROPYLENE FITTING
IN STANDARD LOCATIONS

PROPRIETARY AND CONFIDENTIAL
THE INFORMATION CONTAINED IN THIS
DRAWING IS THE SOLE PROPERTY OF
PEABODY ENGINEERING. ANY
REPRODUCTION IN PART OR AS A WHOLE
WITHOUT THE WRITTEN PERMISSION OF
PEABODY ENGINEERING IS
PROHIBITED.

UNLESS OTHERWISE SPECIFIED:		NAME	DATE			
DIMENSIONS ARE IN INCHES TOLERANCES: FRACTIONAL $\pm 1/8''$ ONE PLACE DECIMAL $\pm .25''$ TWO PLACE DECIMAL $\pm .125''$ THREE PLACE DECIMAL $\pm .063''$		DRAWN	NBH 6/23/2016		PROJECT:	
TANK MATERIAL: HDPE		CHECKED		CUSTOMER:		
INNER TANK S/N:		ENG APPR.		SITE/LOCATION:		
OUTER TANK S/N:		MFG APPR.		DRAWING#:		
CUSTOMER PO#		Q.A.		SIZE	DESC.	REV.
DO NOT SCALE DRAWING		COMMENTS:		B	22 GA VERTICAL TANK $\phi 20'' \times 19\frac{11}{16}''$	
				SCALE: 1:5	SHEET 1 OF 1	

8 7 6 5 4 3 2 1