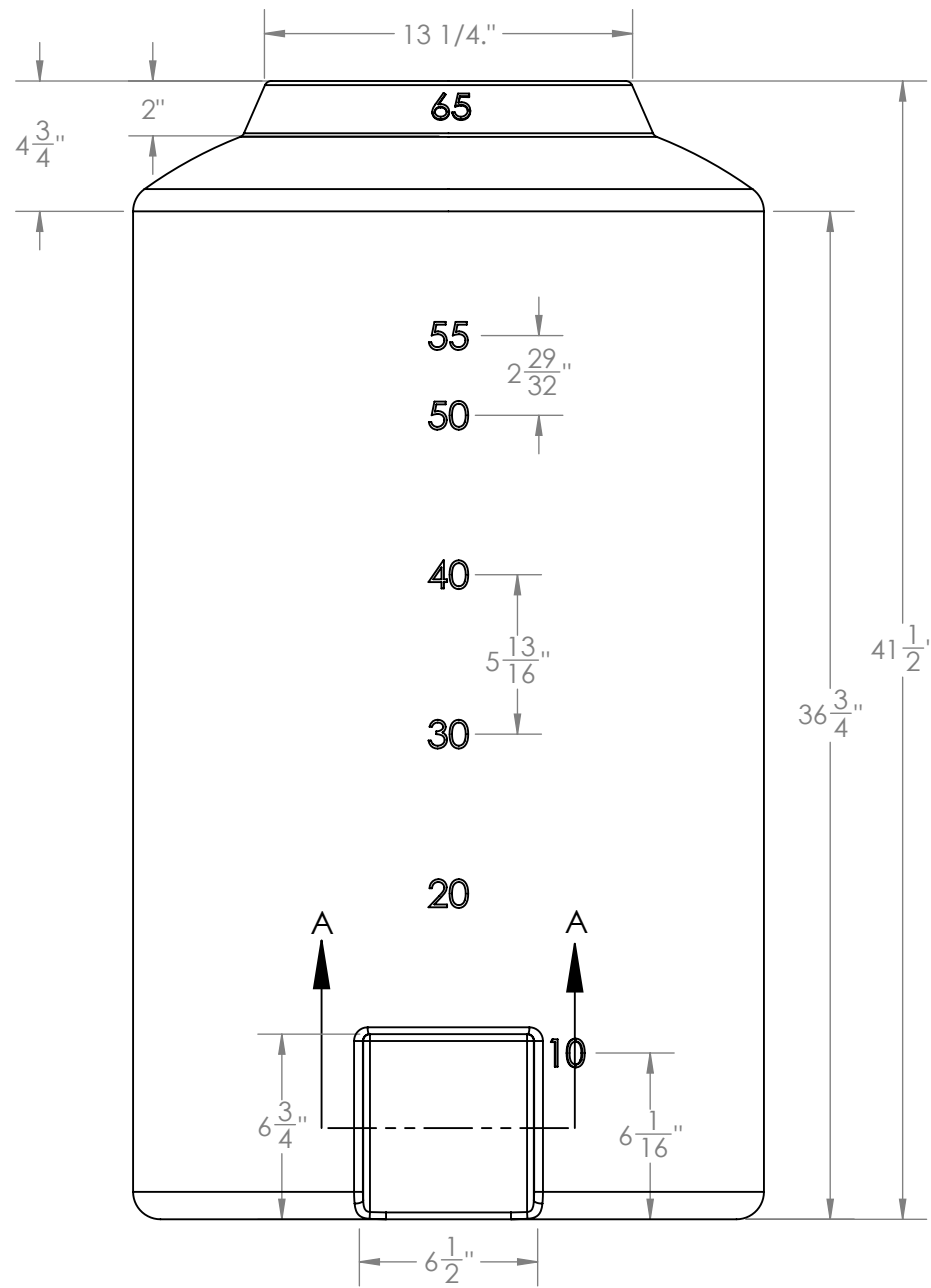
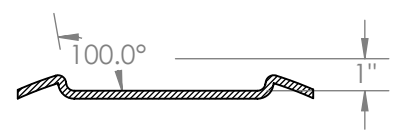


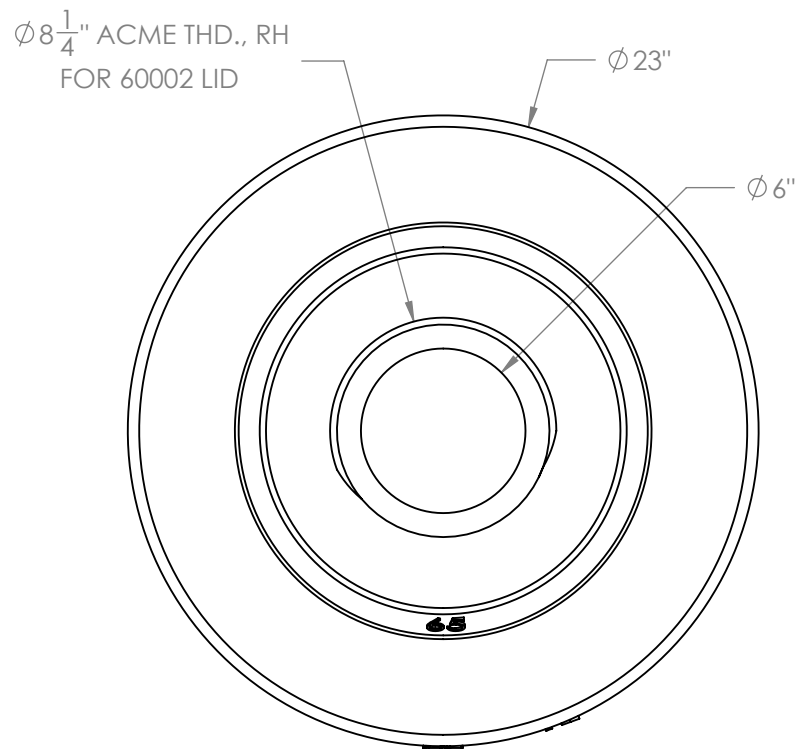
D  
C  
B  
A



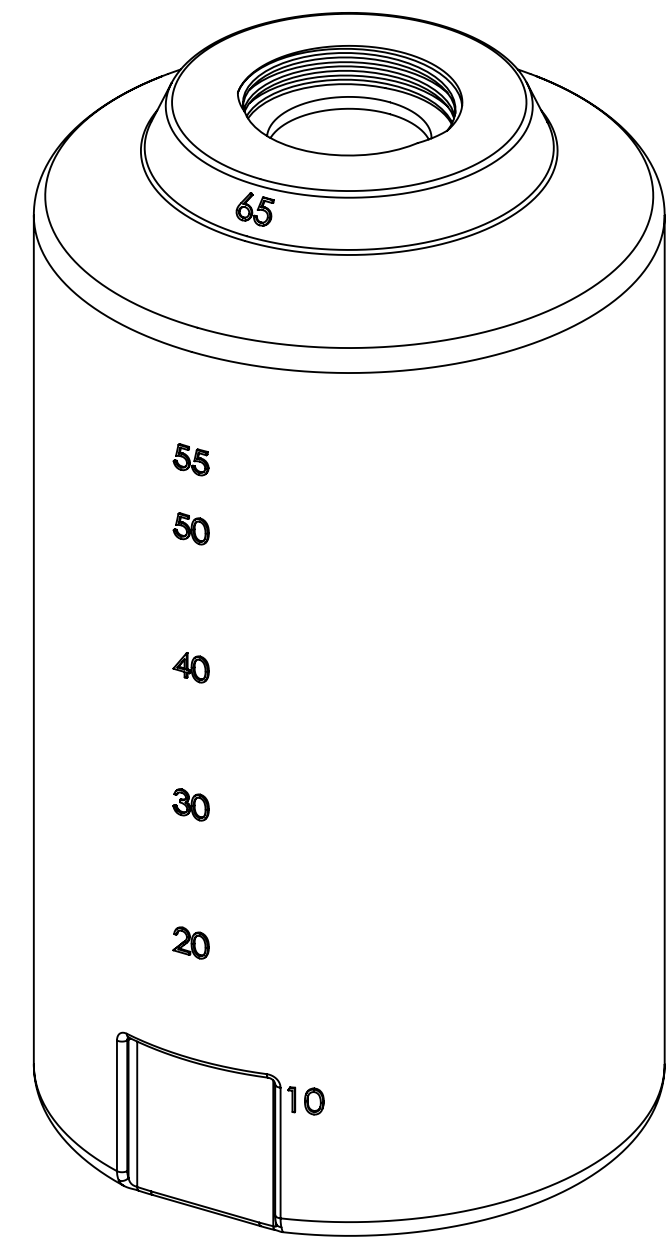
**SIDE VIEW**



**SECTION A-A**  
SCALE 1 : 6



**TOP VIEW**



**ISO VIEW**

**STANDARD SPECS:**  
8" FILL OPENING,  
(1) 1-1/4" POLYPROPYLENE FITTING  
IN STANDARD LOCATIONS

**PROPRIETARY AND CONFIDENTIAL**  
THE INFORMATION CONTAINED IN THIS  
DRAWING IS THE SOLE PROPERTY OF  
PEABODY ENGINEERING. ANY  
REPRODUCTION IN PART OR AS A WHOLE  
WITHOUT THE WRITTEN PERMISSION OF  
PEABODY ENGINEERING IS  
PROHIBITED.

UNLESS OTHERWISE SPECIFIED:  
DIMENSIONS ARE IN INCHES  
TOLERANCES:  
FRACTIONAL ± 1/8"  
ONE PLACE DECIMAL ± .25"  
TWO PLACE DECIMAL ± .125"  
THREE PLACE DECIMAL ± .063"  
TANK MATERIAL:  
**HDPE**  
INNER TANK S/N:  
-  
OUTER TANK S/N:  
-  
CUSTOMER PO#  
-  
DO NOT SCALE DRAWING

	NAME	DATE
DRAWN	NBH	6/23/16
CHECKED		
ENG APPR.		
MFG APPR.		
Q.A.		
COMMENTS:		



PROJECT: -  
CUSTOMER: **PEABODY STANDARD**  
SITE/LOCATION: **FOB: ALL LOCATIONS**  
DRAWING#:

SIZE	DESC.	REV.
<b>B</b>	<b>65 GA VERTICAL TANK</b> <b>Ø23" x 43"</b>	
SCALE: 1:7		SHEET 1 OF 1