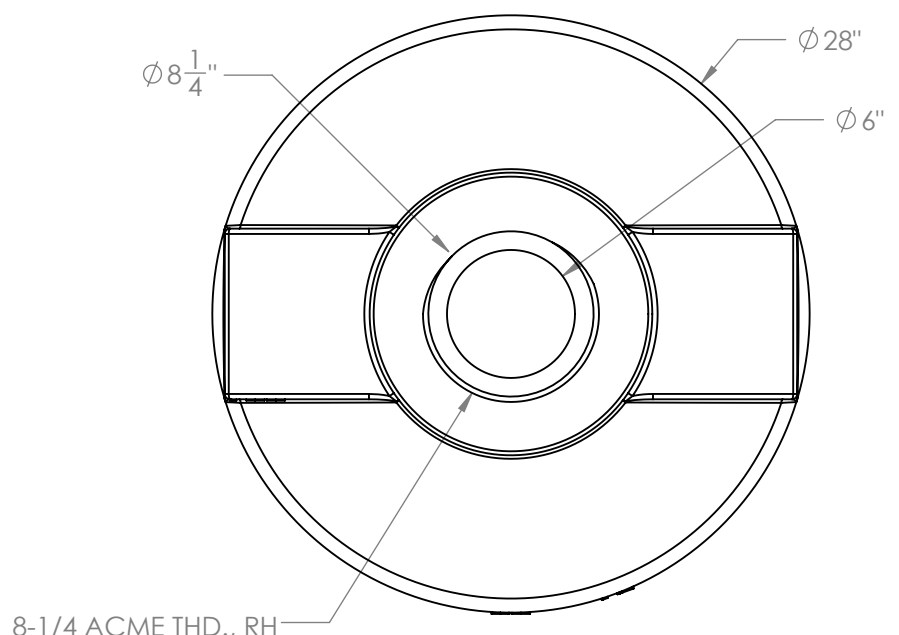


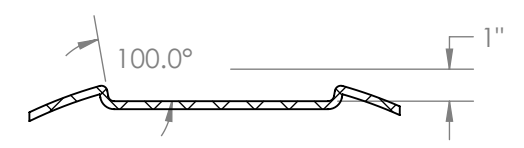
8 7 6 5 4 3 2 1

D
C
B
A

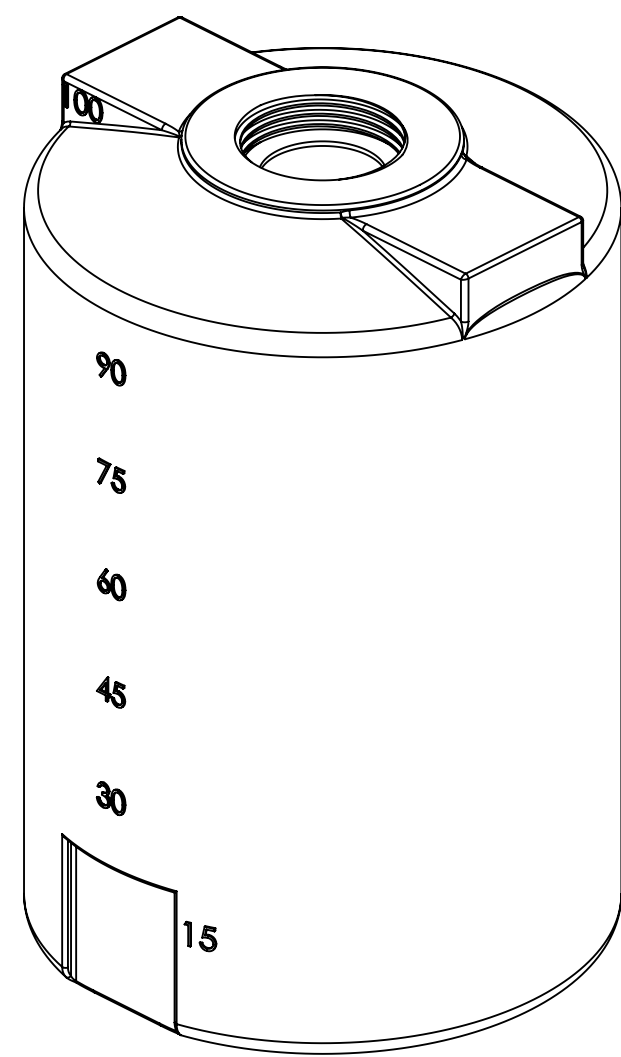
D
C
B
A



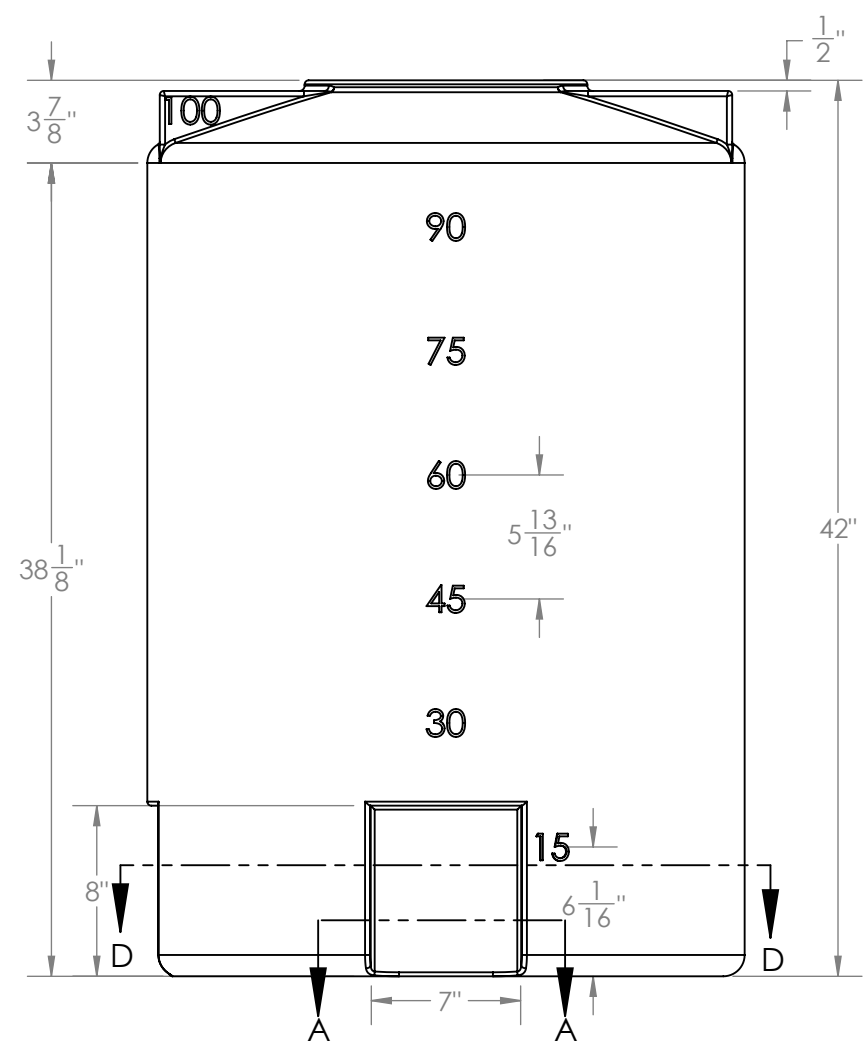
TOP VIEW



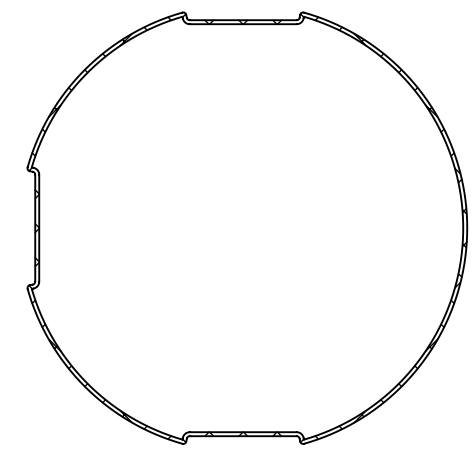
SECTION A-A
SCALE 1 : 6



ISO VIEW



FRONT VIEW



SECTION D-D
SCALE 1 : 12

STANDARD SPECS:
8" FILL OPENING,
(1) 1-1/4" POLYPROPYLENE FITTING
IN STANDARD LOCATIONS

PROPRIETARY AND CONFIDENTIAL
THE INFORMATION CONTAINED IN THIS
DRAWING IS THE SOLE PROPERTY OF
PEABODY ENGINEERING. ANY
REPRODUCTION IN PART OR AS A WHOLE
WITHOUT THE WRITTEN PERMISSION OF
PEABODY ENGINEERING IS
PROHIBITED.

UNLESS OTHERWISE SPECIFIED:
DIMENSIONS ARE IN INCHES
TOLERANCES:
FRACTIONAL ± 1/8"
ONE PLACE DECIMAL ± .25"
TWO PLACE DECIMAL ± .125"
THREE PLACE DECIMAL ± .063"
TANK MATERIAL:
HDPE
INNER TANK S/N:
-
OUTER TANK S/N:
-
CUSTOMER PO#
-
DO NOT SCALE DRAWING

	NAME	DATE
DRAWN	NBH	6/23/16
CHECKED		
ENG APPR.		
MFG APPR.		
Q.A.		
COMMENTS:		



PROJECT: -		
CUSTOMER: PEABODY STANDARD		
SITE/LOCATION: FOB: ALL LOCATIONS		
DRAWING#:		
SIZE	DESC.	REV.
B	100 GA VERTICAL TANK Ø28" x 43"	
SCALE: 1:9		SHEET 1 OF 1

8 7 6 5 4 3 2 1