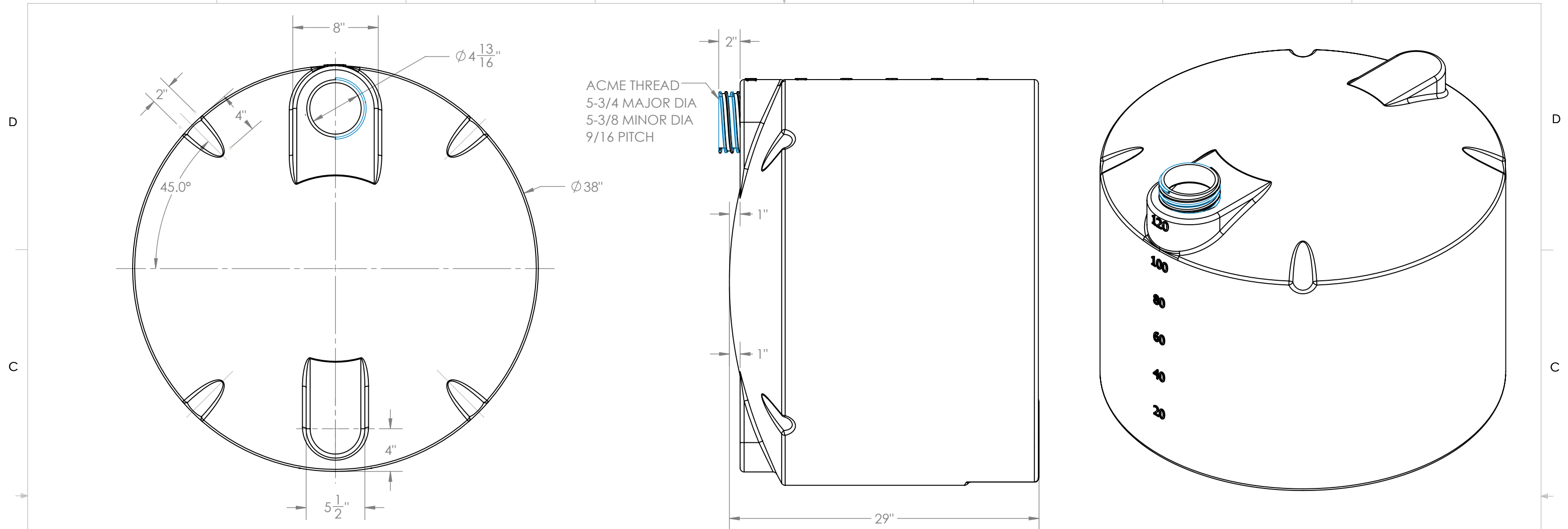


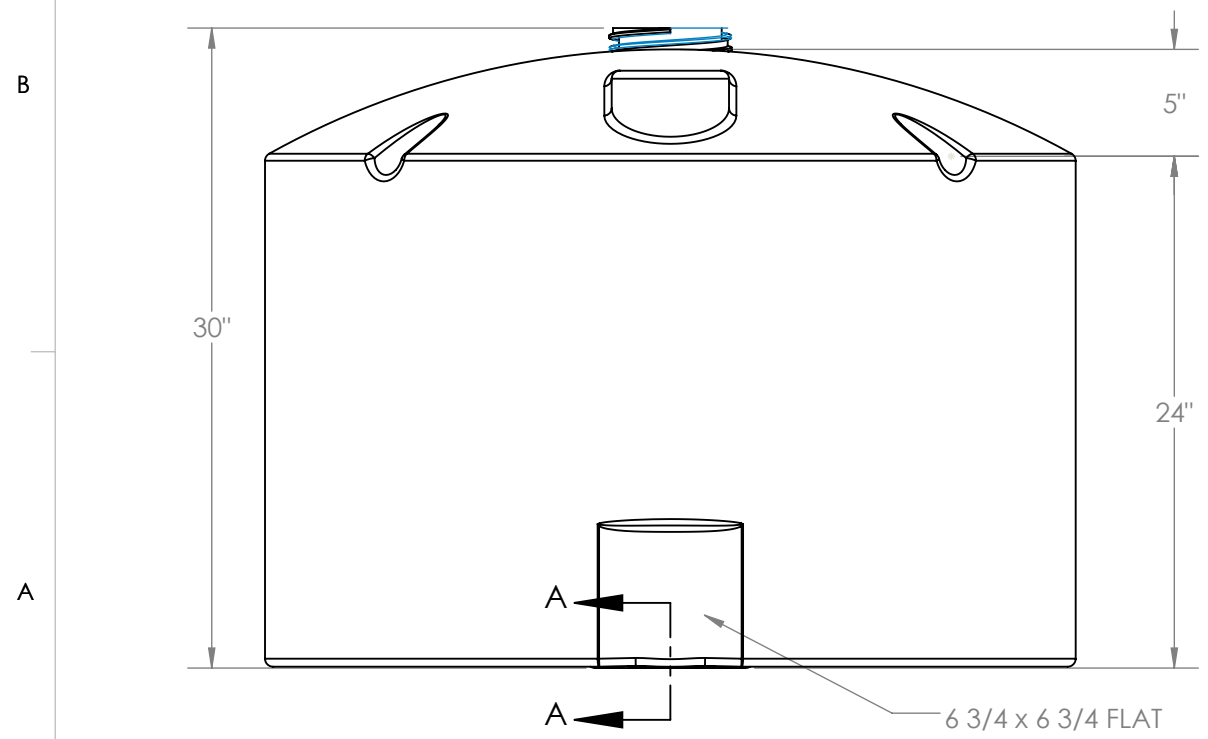
8 7 6 5 4 3 2 1



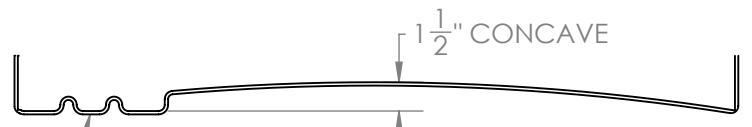
TOP VIEW

SIDE VIEW

ISO VIEW



FRONT VIEW



SECTION A-A
SCALE 1 : 10

STANDARD SPECS:
5" FILL OPENING,
(1) 1-1/4" POLYPROPYLENE FITTING
IN STANDARD LOCATIONS

PROPRIETARY AND CONFIDENTIAL
THE INFORMATION CONTAINED IN THIS
DRAWING IS THE SOLE PROPERTY OF
PEABODY ENGINEERING. ANY
REPRODUCTION IN PART OR AS A WHOLE
WITHOUT THE WRITTEN PERMISSION OF
PEABODY ENGINEERING IS
PROHIBITED.

UNLESS OTHERWISE SPECIFIED:

DIMENSIONS ARE IN INCHES			
TOLERANCES:			
FRACTIONAL ± 1/8"			
ONE PLACE DECIMAL ± .25"			
TWO PLACE DECIMAL ± .125"			
THREE PLACE DECIMAL ± .063"			
TANK MATERIAL:			
HDPE			
INNER TANK S/N:			
OUTER TANK S/N:			
CUSTOMER PO#			
DO NOT SCALE DRAWING			

NAME	DATE
DRAWN NBH	6/9/16
CHECKED	
ENG APPR.	
MFG APPR.	
Q.A.	
COMMENTS:	



PROJECT:		
CUSTOMER:	PEABODY STANDARD	
SITE/LOCATION:	FOB: OH, GA, OK, NY, IA, CA, TX	
DRAWING#:		
SIZE	DESC.	REV.
B	120 GA VERTICAL TANK Ø38" x 31"	
SCALE: 1:9	SHEET 1 OF 1	

8 7 6 5 4 3 2 1