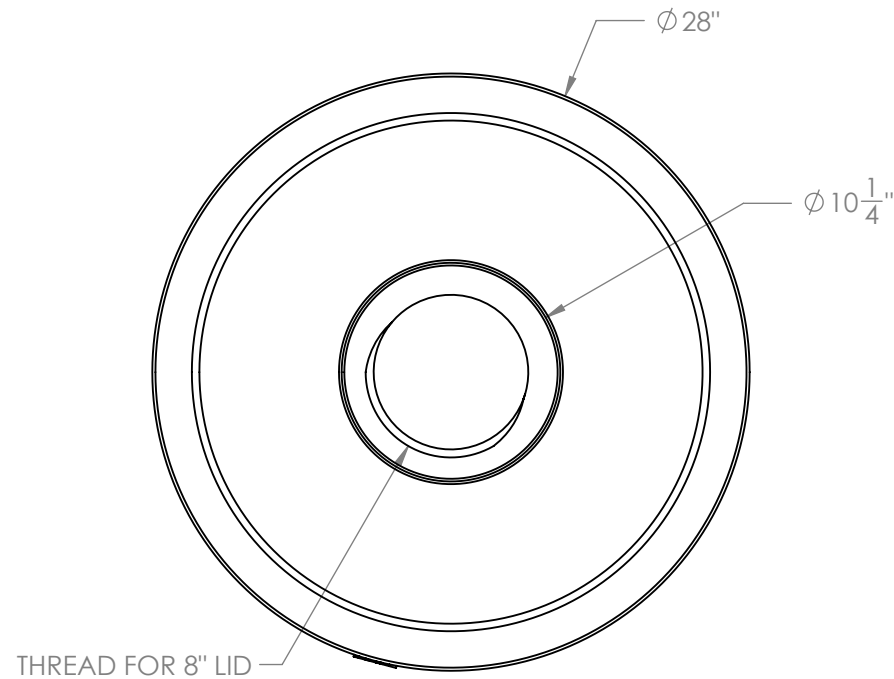
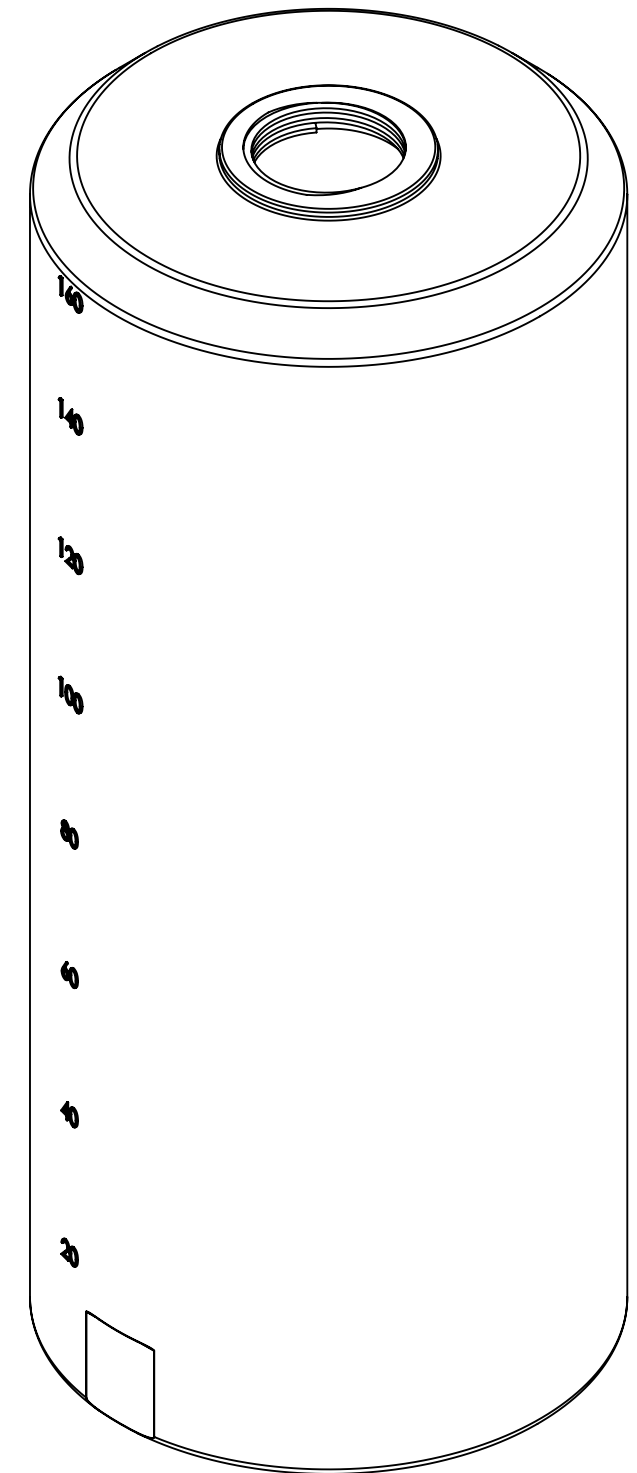


FRONT VIEW




TOP VIEW



ISO VIEW

PROPRIETARY AND CONFIDENTIAL
 THE INFORMATION CONTAINED IN THIS DRAWING IS THE SOLE PROPERTY OF PEABODY ENGINEERING. ANY REPRODUCTION IN PART OR AS A WHOLE WITHOUT THE WRITTEN PERMISSION OF PEABODY ENGINEERING IS PROHIBITED.

UNLESS OTHERWISE SPECIFIED:		NAME	DATE	
DIMENSIONS ARE IN INCHES TOLERANCES: FRACTIONAL ± 1/8" ONE PLACE DECIMAL ± .25" TWO PLACE DECIMAL ± .125" THREE PLACE DECIMAL ± .063"		DRAWN	NBH 6/6/16	
TANK MATERIAL: HDPE		CHECKED		PROJECT:
INNER TANK S/N: -		ENG APPR.		CUSTOMER:
OUTER TANK S/N: -		MFG APPR.		SITE/LOCATION:
CUSTOMER PO# -		Q.A.		DRAWING#:
DO NOT SCALE DRAWING		COMMENTS:		SIZE
				DESC.
				REV.
				SCALE: 1:9
				SHEET 1 OF 1

B 160 GA VERTICAL TANK
 Ø28" x 66.5"