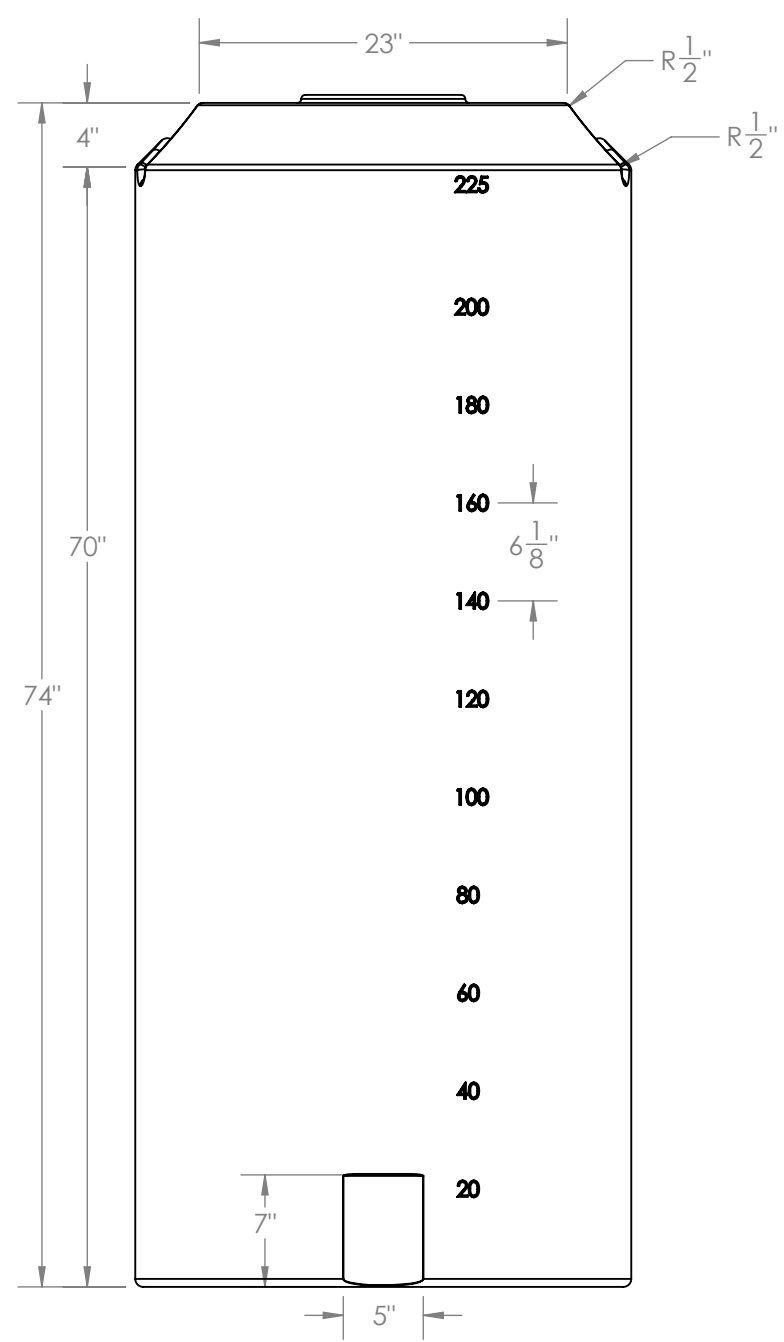
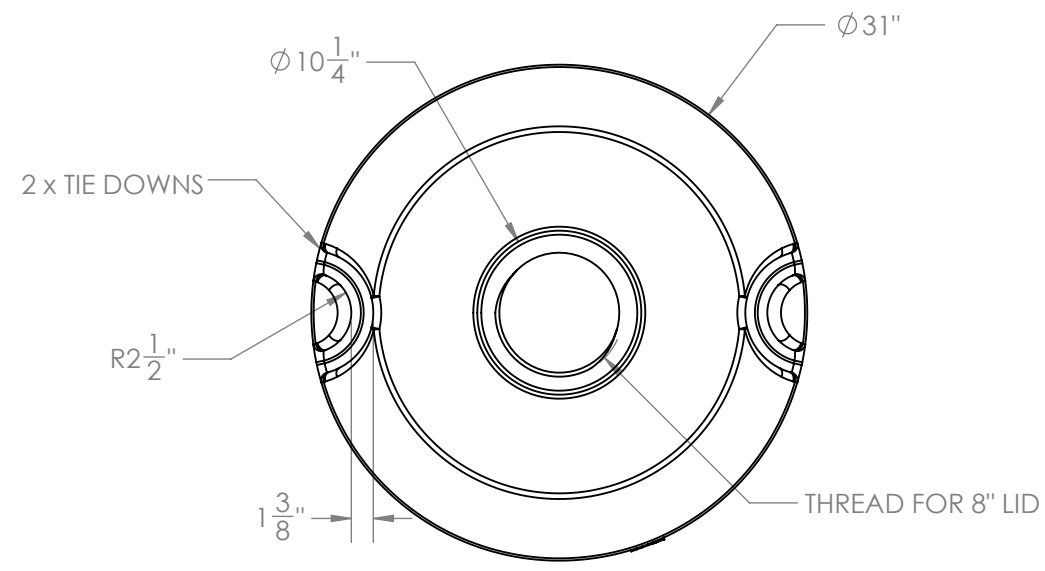


8 7 6 5 4 3 2 1

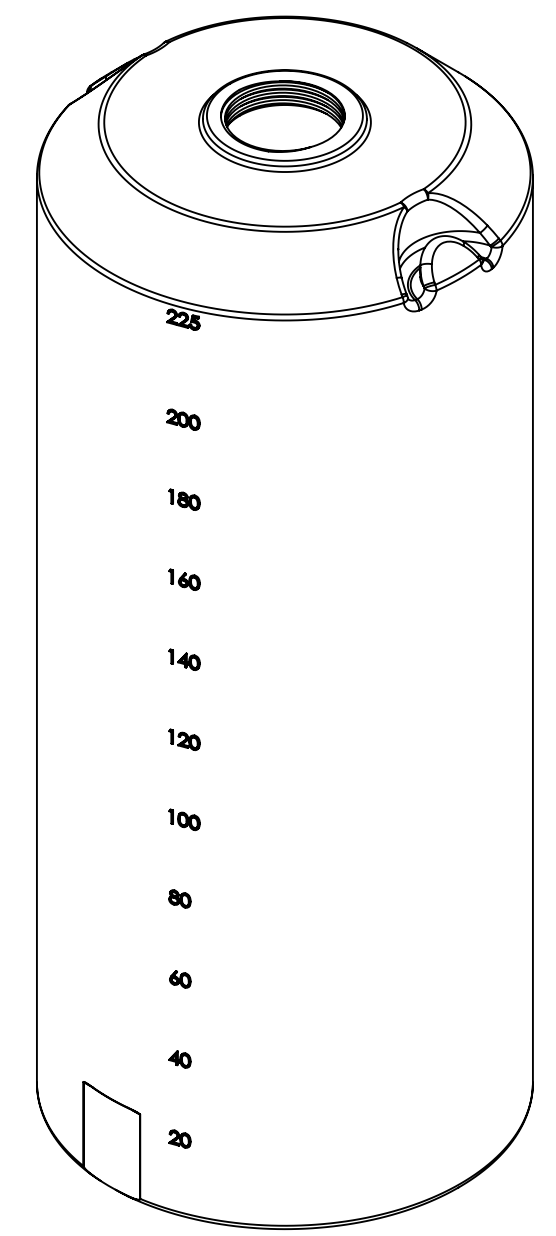
D  
C  
B  
A



**FRONT VIEW**




**TOP VIEW**



**ISO VIEW**

**PROPRIETARY AND CONFIDENTIAL**  
 THE INFORMATION CONTAINED IN THIS DRAWING IS THE SOLE PROPERTY OF PEABODY ENGINEERING. ANY REPRODUCTION IN PART OR AS A WHOLE WITHOUT THE WRITTEN PERMISSION OF PEABODY ENGINEERING IS PROHIBITED.

UNLESS OTHERWISE SPECIFIED:		NAME	DATE	
DIMENSIONS ARE IN INCHES TOLERANCES: FRACTIONAL ± 1/8" ONE PLACE DECIMAL ± .25" TWO PLACE DECIMAL ± .125" THREE PLACE DECIMAL ± .063"		DRAWN	NBH	
TANK MATERIAL:		CHECKED		PROJECT:
INNER TANK S/N:		ENG APPR.		CUSTOMER:
OUTER TANK S/N:		MFG APPR.		SITE/LOCATION:
CUSTOMER PO#		Q.A.		DRAWING#:
DO NOT SCALE DRAWING		COMMENTS:		SIZE    DESC.    REV. <b>B</b> <b>225 GA VERTICAL TANK</b> <b>Ø31" x 74.5"</b>
SCALE: 1:12			SHEET 1 OF 1	

8 7 6 5 4 3 2 1