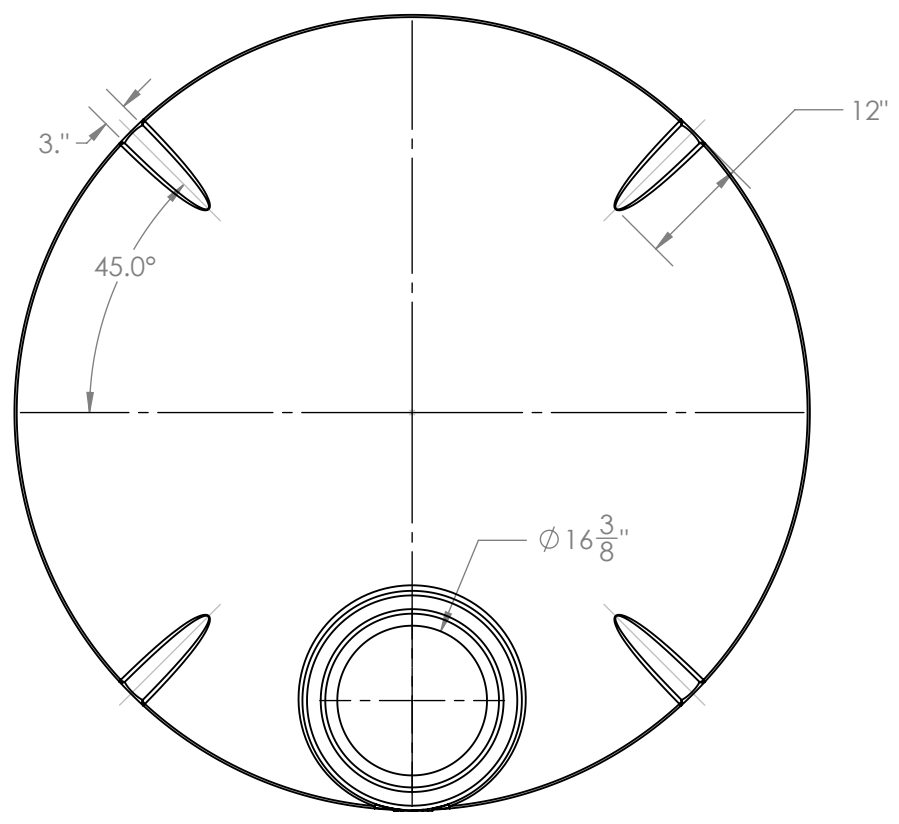
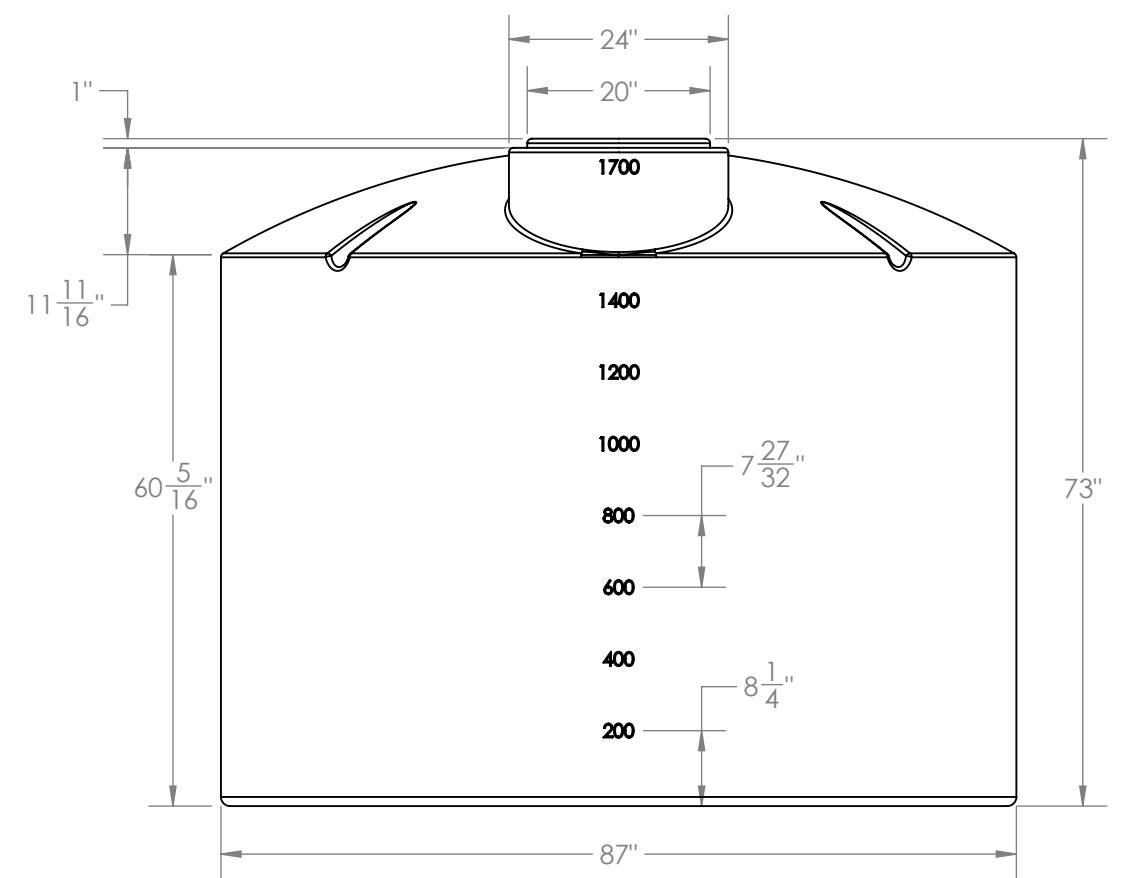


8 7 6 5 4 3 2 1

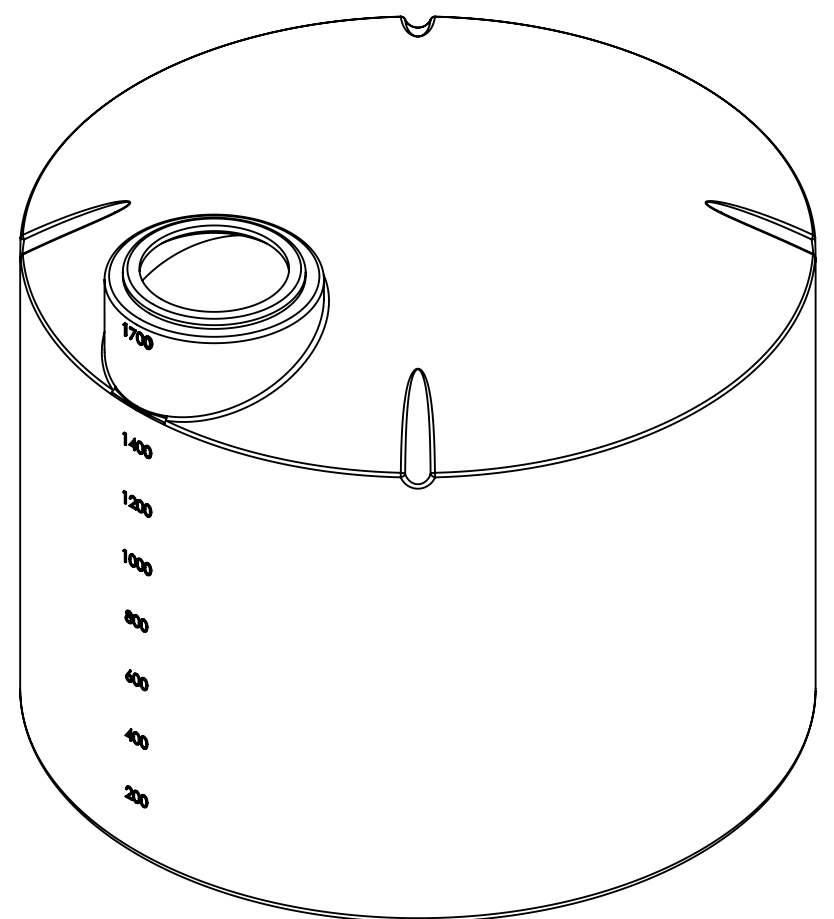
D
C
B
A



TOP VIEW



FRONT VIEW



ISO VIEW

8 7 6 5 4 3 2 1

STANDARD SPECS:
 16" FILL OPENING,
 (1) 2" POLYPROPYLENE FITTING
 WITH SIPHON TUBE
 IN STANDARD LOCATIONS

PROPRIETARY AND CONFIDENTIAL
 THE INFORMATION CONTAINED IN THIS
 DRAWING IS THE SOLE PROPERTY OF
 PEABODY ENGINEERING. ANY
 REPRODUCTION IN PART OR AS A WHOLE
 WITHOUT THE WRITTEN PERMISSION OF
 PEABODY ENGINEERING IS
 PROHIBITED.

UNLESS OTHERWISE SPECIFIED:
 DIMENSIONS ARE IN INCHES
 TOLERANCES:
 FRACTIONAL ± 1/8"
 ONE PLACE DECIMAL ± .25"
 TWO PLACE DECIMAL ± .125"
 THREE PLACE DECIMAL ± .063"

TANK MATERIAL:
HDPE

INNER TANK S/N:
 -

OUTER TANK S/N:
 -

CUSTOMER PO#
 -

DO NOT SCALE DRAWING

	NAME	DATE
DRAWN	NBH	6/14/16
CHECKED		
ENG APPR.		
MFG APPR.		
Q.A.		
COMMENTS:		



PROJECT: -		
CUSTOMER: PEABODY STANDARD		
SITE/LOCATION: FOB: OH, IA		
DRAWING#:		
SIZE	DESC.	REV.
B	1700 GA VERTICAL TANK Ø87" x 74"	
SCALE: 1:21		SHEET 1 OF 1