

8 7 6 5 4 3 2 1

D

D

C

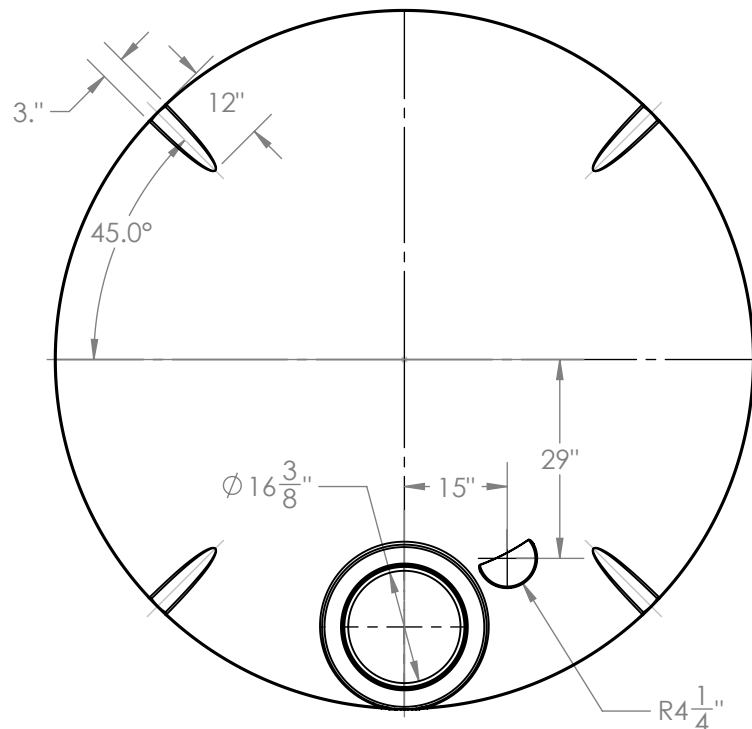
C

B

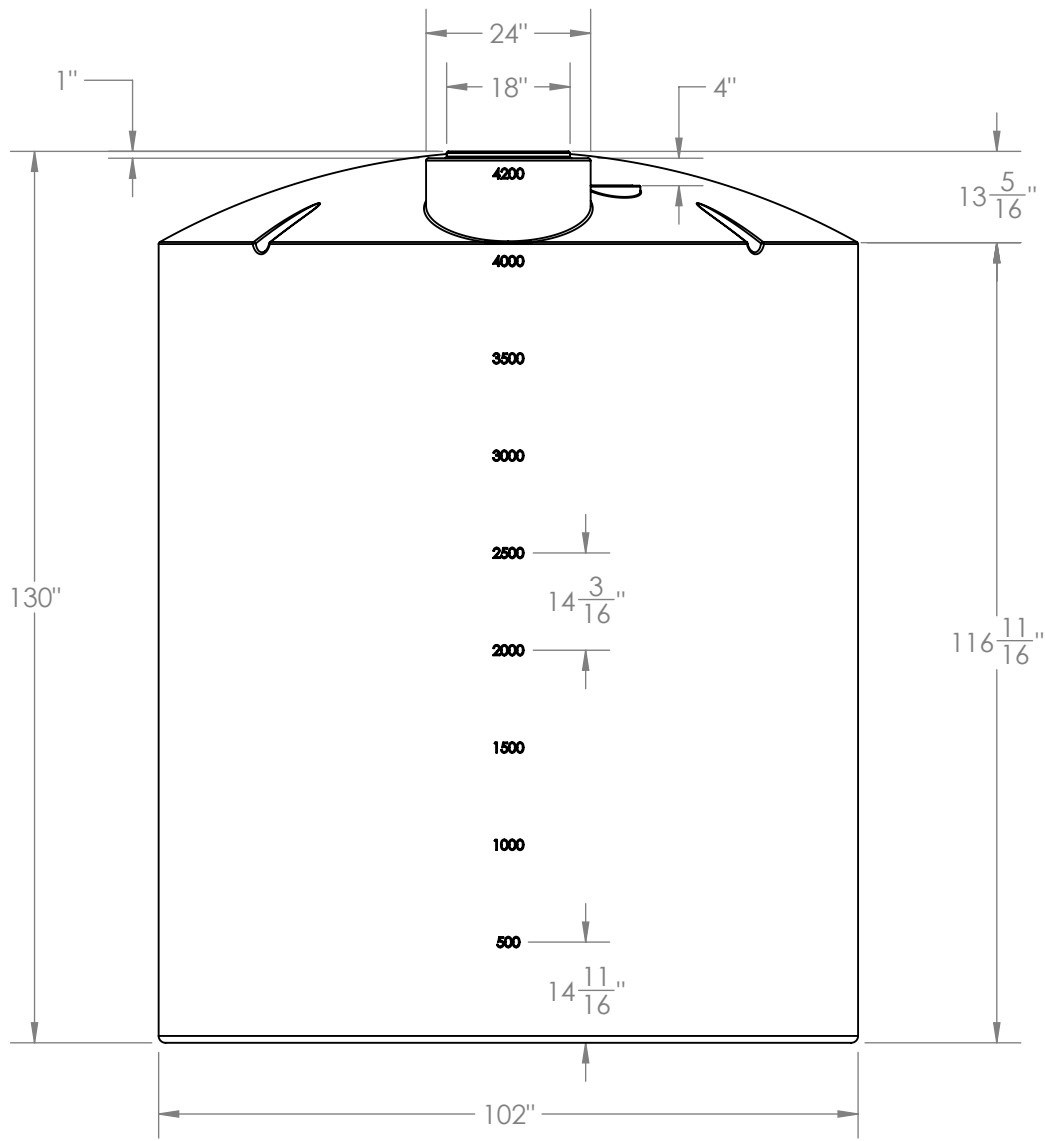
B

A

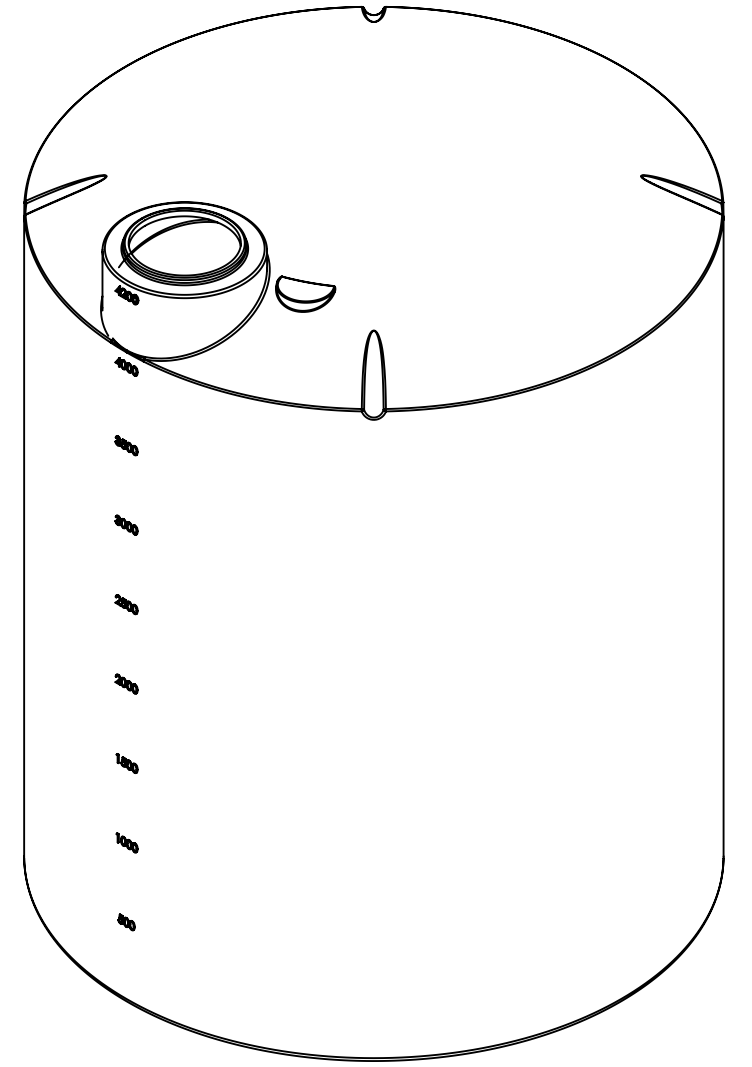
A



TOP VIEW



FRONT VIEW



ISO VIEW

STANDARD SPECS:
 16" FILL OPENING,
 (1) 3" POLYPROPYLENE FITTING
 WITH 2" REDUCER & SIPHON TUBE
 IN STANDARD LOCATIONS

PROPRIETARY AND CONFIDENTIAL
 THE INFORMATION CONTAINED IN THIS
 DRAWING IS THE SOLE PROPERTY OF
 PEABODY ENGINEERING. ANY
 REPRODUCTION IN PART OR AS A WHOLE
 WITHOUT THE WRITTEN PERMISSION OF
 PEABODY ENGINEERING IS
 PROHIBITED.

UNLESS OTHERWISE SPECIFIED:
 DIMENSIONS ARE IN INCHES
 TOLERANCES:
 FRACTIONAL ± 1/8"
 ONE PLACE DECIMAL ± .25"
 TWO PLACE DECIMAL ± .125"
 THREE PLACE DECIMAL ± .063"
 TANK MATERIAL:
 HDPE
 INNER TANK S/N:
 -
 OUTER TANK S/N:
 -
 CUSTOMER PO#:
 -
 DO NOT SCALE DRAWING

	NAME	DATE
DRAWN	NBH	6/20/16
CHECKED		
ENG APPR.		
MFG APPR.		
Q.A.		
COMMENTS:		



PROJECT: -		
CUSTOMER: PEABODY STANDARD		
SITE/LOCATION: FOB: OH		
DRAWING#:		
SIZE	DESC.	REV.
B	4200 GA VERTICAL TANK Ø102" x 131"	
SCALE: 1:28		SHEET 1 OF 1

8 7 6 5 4 3 2 1