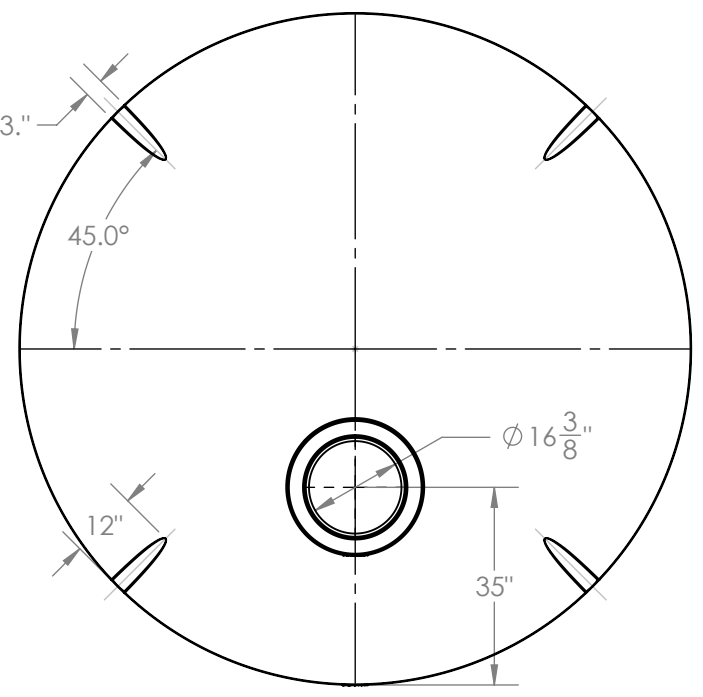


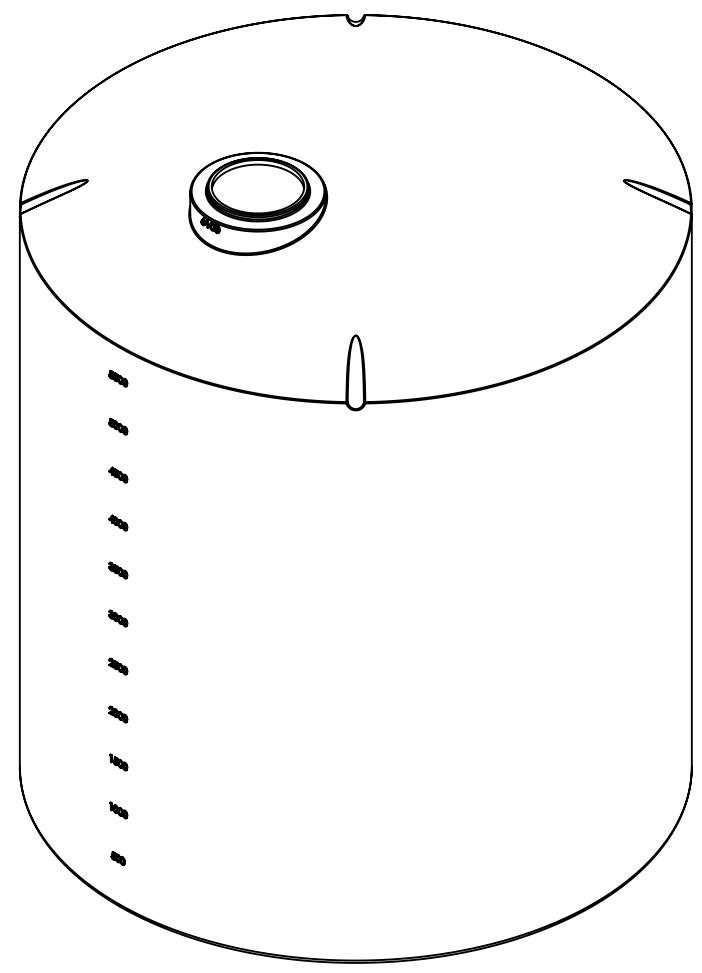
8 7 6 5 4 3 2 1

D
C
B
A

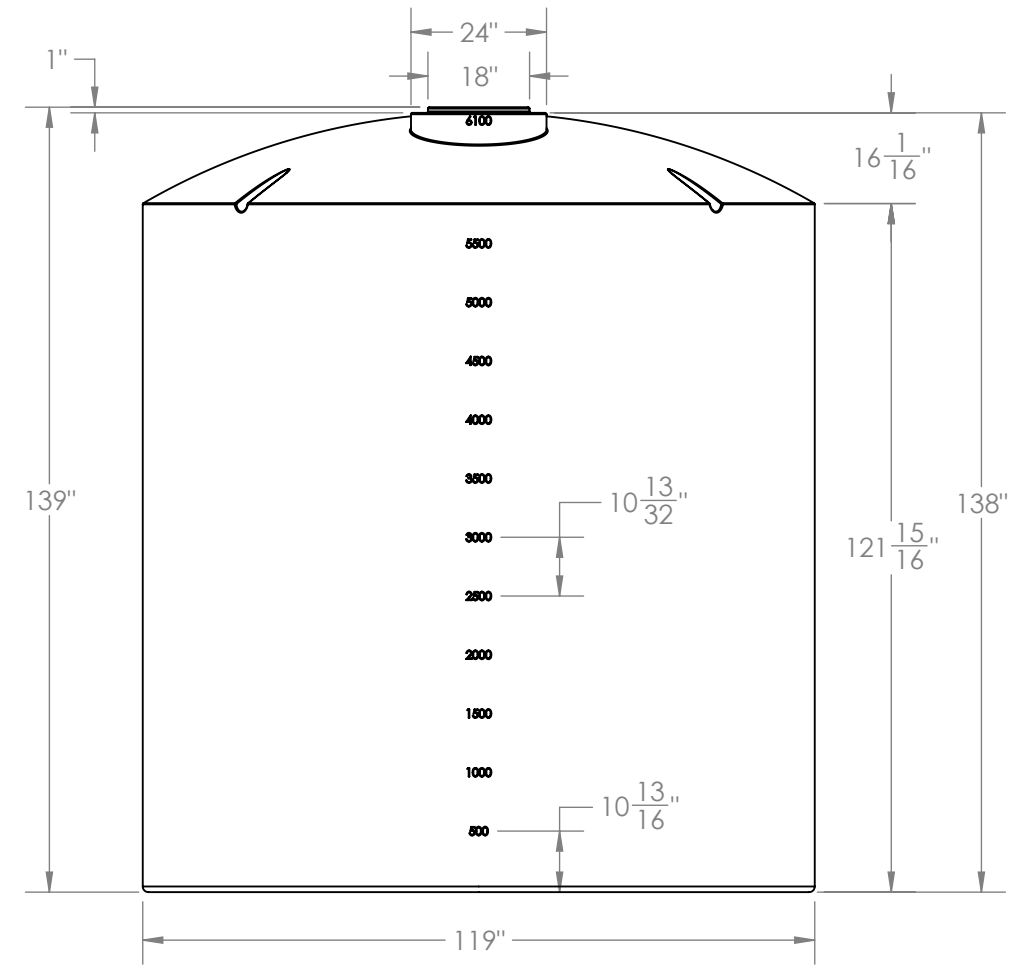
D
C
B
A



TOP VIEW



ISO VIEW



FRONT VIEW

STANDARD SPECS:
 16" FILL OPENING,
 (1) 3" POLYPROPYLENE FITTING
 WITH 2" REDUCER & SIPHON TUBE
 IN STANDARD LOCATIONS

PROPRIETARY AND CONFIDENTIAL
 THE INFORMATION CONTAINED IN THIS
 DRAWING IS THE SOLE PROPERTY OF
 PEABODY ENGINEERING. ANY
 REPRODUCTION IN PART OR AS A WHOLE
 WITHOUT THE WRITTEN PERMISSION OF
 PEABODY ENGINEERING IS
 PROHIBITED.

UNLESS OTHERWISE SPECIFIED:
 DIMENSIONS ARE IN INCHES
 TOLERANCES:
 FRACTIONAL ± 1/8"
 ONE PLACE DECIMAL ± .25"
 TWO PLACE DECIMAL ± .125"
 THREE PLACE DECIMAL ± .063"

TANK MATERIAL:
HDPE

INNER TANK S/N:
 -

OUTER TANK S/N:
 -

CUSTOMER PO#
 -

DO NOT SCALE DRAWING

	NAME	DATE
DRAWN	NBH	6/21/16
CHECKED		
ENG APPR.		
MFG APPR.		
Q.A.		
COMMENTS:		

PROJECT: -		
CUSTOMER: PEABODY STANDARD		
SITE/LOCATION: FOB: OH, GA, NY, WA		
DRAWING#:		
SIZE	DESC.	REV.
B	6100 GA VERTICAL TANK Ø119" x 140"	
SCALE: 1:34		SHEET 1 OF 1

8 7 6 5 4 3 2 1