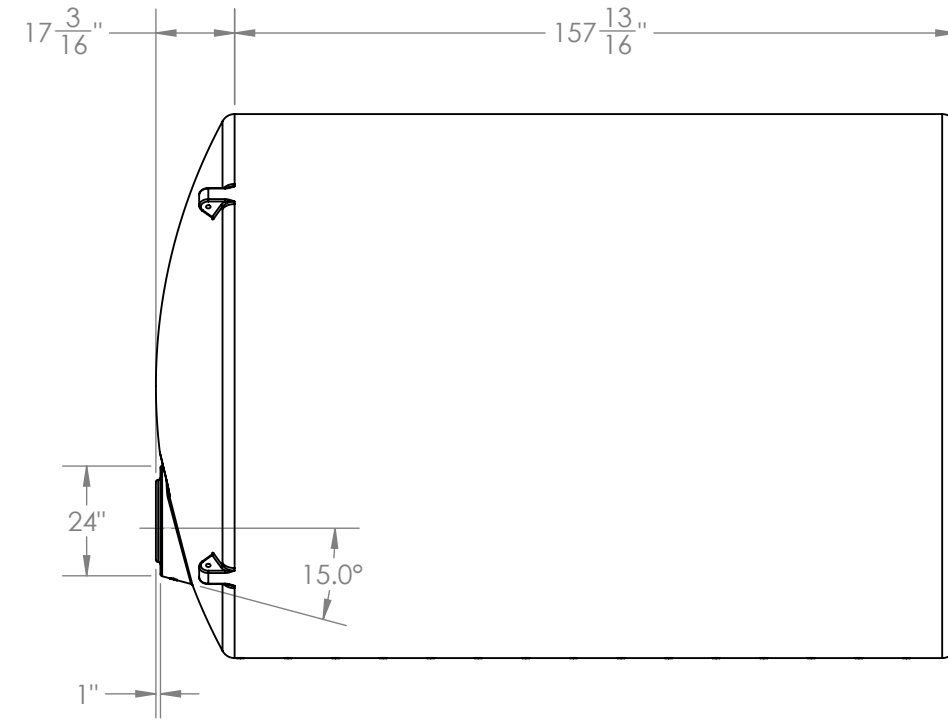
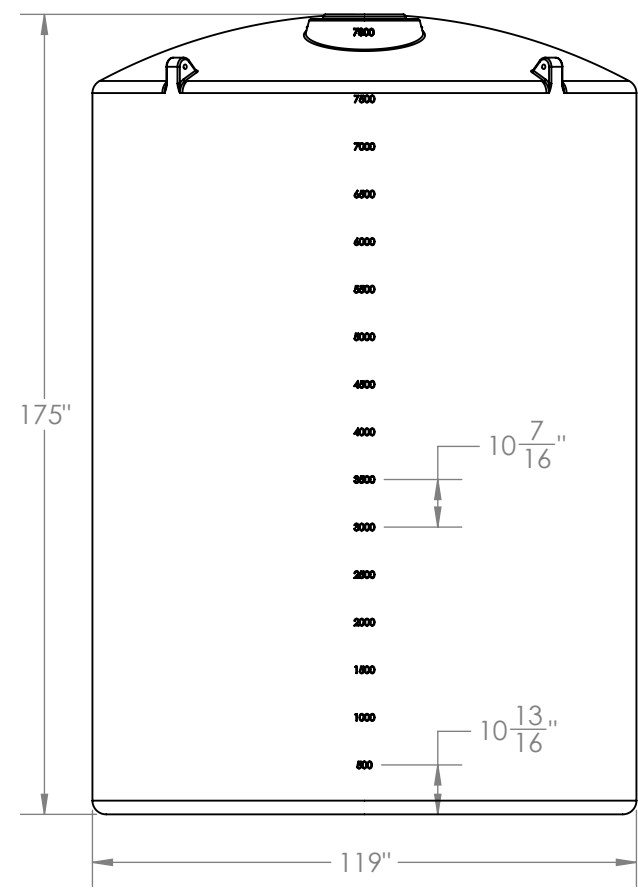


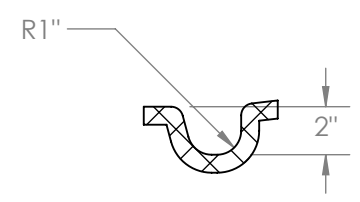
**TOP VIEW**



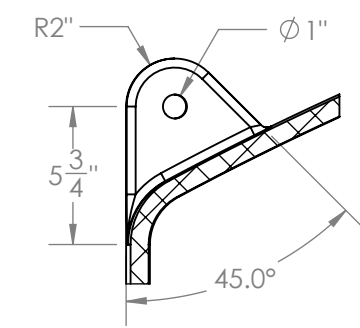
**SIDE VIEW**



**FRONT VIEW**



**SECTION A-A**  
SCALE 1 : 8



**SECTION B-B**  
SCALE 1 : 8

**STANDARD SPECS:**  
16" FILL OPENING,  
(1) 3" POLYPROPYLENE FITTING  
WITH 2" REDUCER & SIPHON TUBE  
IN STANDARD LOCATIONS

**PROPRIETARY AND CONFIDENTIAL**  
THE INFORMATION CONTAINED IN THIS  
DRAWING IS THE SOLE PROPERTY OF  
PEABODY ENGINEERING. ANY  
REPRODUCTION IN PART OR AS A WHOLE  
WITHOUT THE WRITTEN PERMISSION OF  
PEABODY ENGINEERING IS  
PROHIBITED.

UNLESS OTHERWISE SPECIFIED:  
DIMENSIONS ARE IN INCHES  
TOLERANCES:  
FRACTIONAL ± 1/8"  
ONE PLACE DECIMAL ± .25"  
TWO PLACE DECIMAL ± .125"  
THREE PLACE DECIMAL ± .063"

TANK MATERIAL:  
**HDPE**

INNER TANK S/N:  
-

OUTER TANK S/N:  
-

CUSTOMER PO#  
-

DO NOT SCALE DRAWING

	NAME	DATE
DRAWN	NBH	6/22/16
CHECKED		
ENG APPR.		
MFG APPR.		
Q.A.		
COMMENTS:		



PROJECT: -		
CUSTOMER: <b>PEABODY STANDARD</b>		
SITE/LOCATION: <b>FOB: CA</b>		
DRAWING#:		
SIZE	DESC.	REV.
<b>B</b>	<b>7800 GA VERTICAL TANK Ø119" x 176"</b>	
SCALE: 1:42		SHEET 1 OF 1