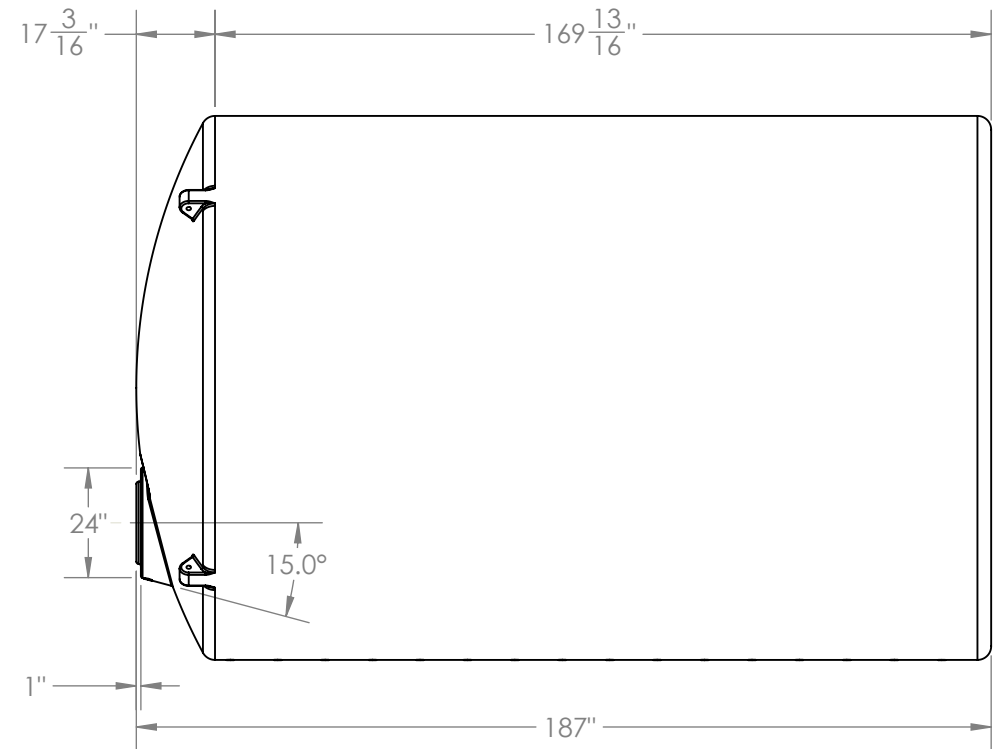
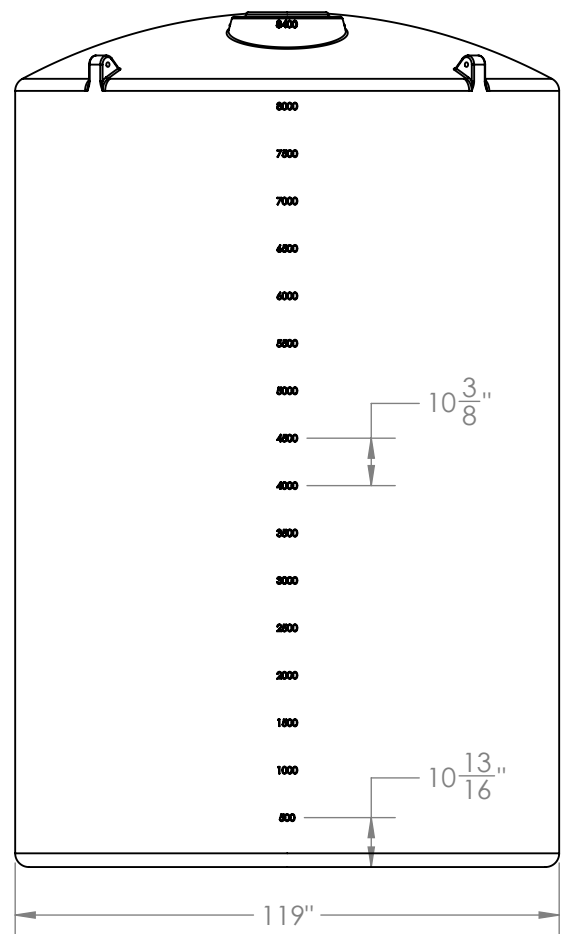


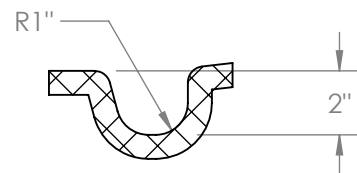
**TOP VIEW**



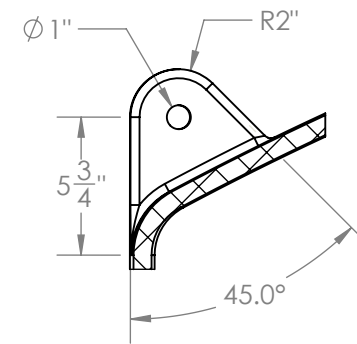
**SIDE VIEW**



**FRONT VIEW**



**SECTION A-A**  
SCALE 1 : 6



**SECTION B-B**  
SCALE 1 : 8

**STANDARD SPECS:**  
16" FILL OPENING,  
(1) 3" POLYPROPYLENE FITTING  
WITH 2" REDUCER & SIPHON TUBE  
IN STANDARD LOCATIONS

**PROPRIETARY AND CONFIDENTIAL**  
THE INFORMATION CONTAINED IN THIS  
DRAWING IS THE SOLE PROPERTY OF  
PEABODY ENGINEERING. ANY  
REPRODUCTION IN PART OR AS A WHOLE  
WITHOUT THE WRITTEN PERMISSION OF  
PEABODY ENGINEERING IS  
PROHIBITED.

UNLESS OTHERWISE SPECIFIED:

DIMENSIONS ARE IN INCHES  
TOLERANCES:  
FRACTIONAL  $\pm 1/8"$   
ONE PLACE DECIMAL  $\pm .25"$   
TWO PLACE DECIMAL  $\pm .125"$   
THREE PLACE DECIMAL  $\pm .063"$

TANK MATERIAL:  
**HDPE**

INNER TANK S/N:

OUTER TANK S/N:

CUSTOMER PO#

DO NOT SCALE DRAWING

	NAME	DATE
DRAWN	<b>NBH</b>	<b>6/22/16</b>
CHECKED		
ENG APPR.		
MFG APPR.		
Q.A.		
COMMENTS:		



PROJECT: -

CUSTOMER: **PEABODY STANDARD**

SITE/LOCATION: **FOB: CA**

DRAWING#:

SIZE DESC. **8400 GA VERTICAL TANK** REV.

**B** **Ø119" x 188"**

SCALE: 1:42 SHEET 1 OF 1