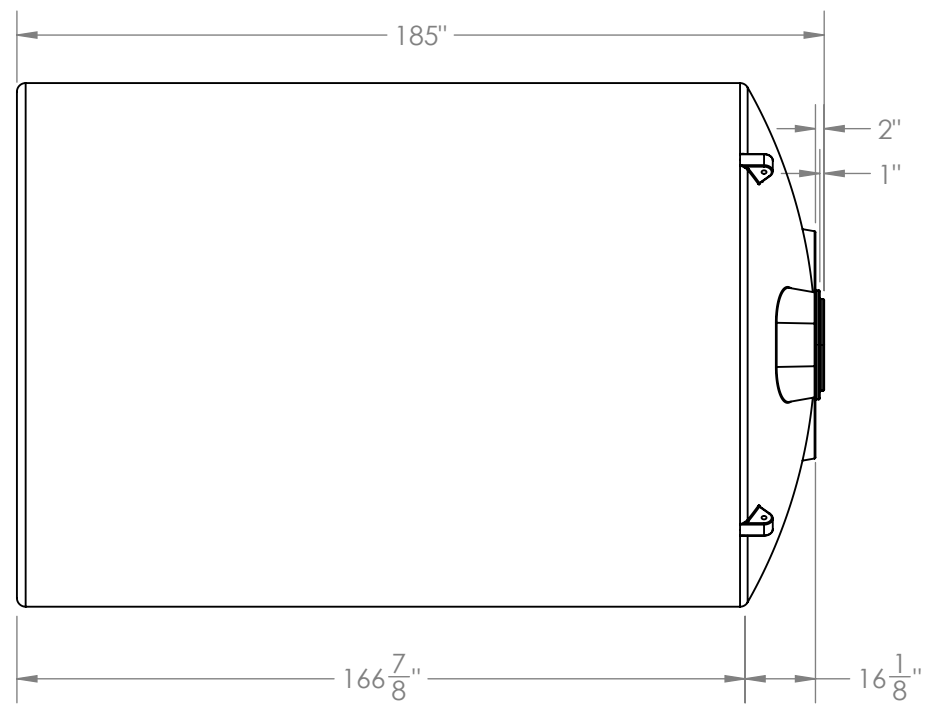
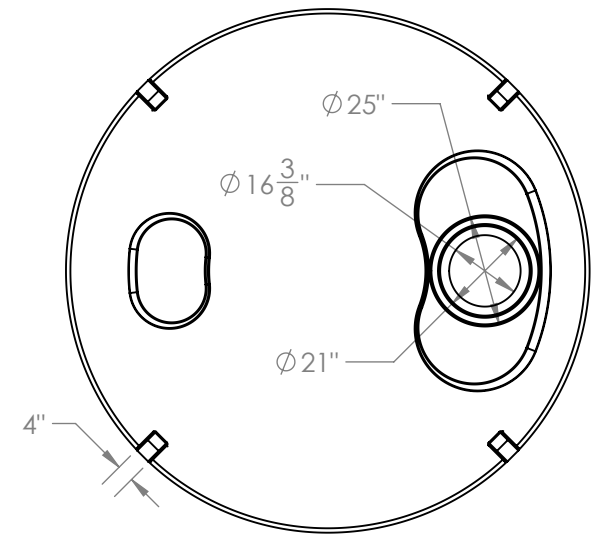


8 7 6 5 4 3 2 1

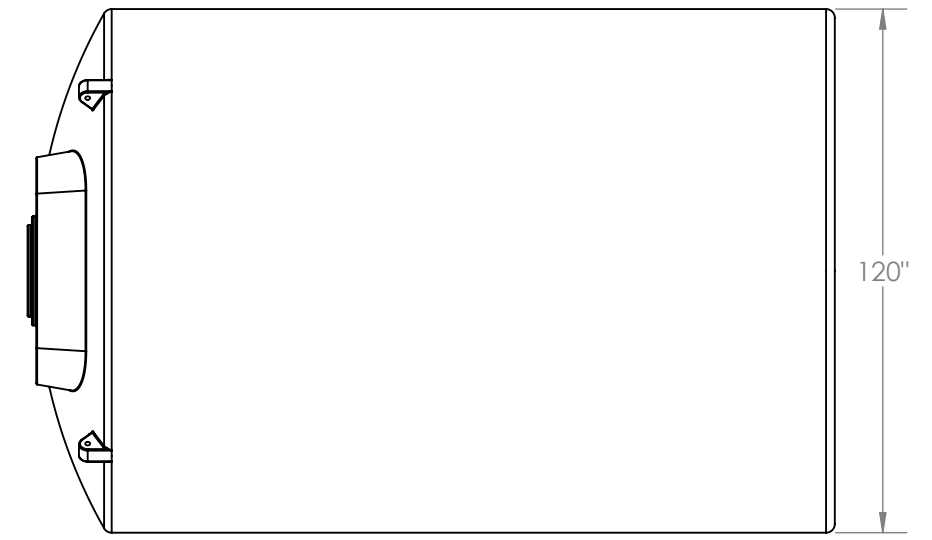
D
C
B
A



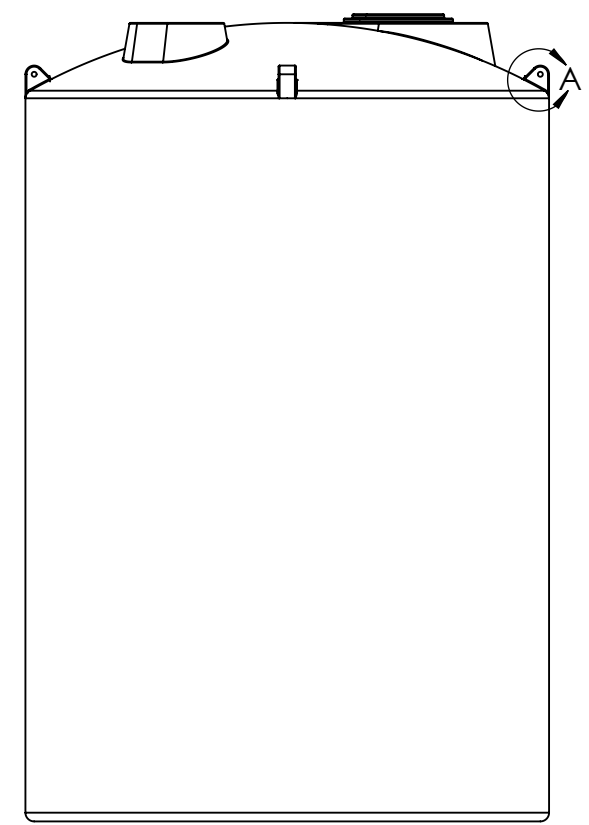
BACK VIEW



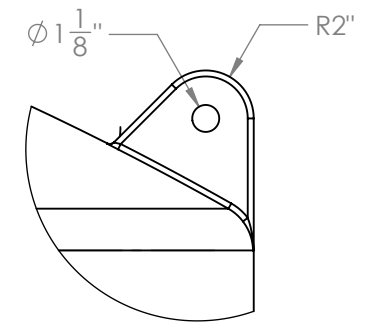
TOP VIEW



FRONT VIEW



ANGLE VIEW



DETAIL A
SCALE 1 : 8

STANDARD SPECS:
16" FILL OPENING,
(1) 3" POLYPROPYLENE FITTING
WITH 2" REDUCER & SIPHON TUBE
IN STANDARD LOCATIONS

PROPRIETARY AND CONFIDENTIAL
THE INFORMATION CONTAINED IN THIS
DRAWING IS THE SOLE PROPERTY OF
PEABODY ENGINEERING. ANY
REPRODUCTION IN PART OR AS A WHOLE
WITHOUT THE WRITTEN PERMISSION OF
PEABODY ENGINEERING IS
PROHIBITED.

UNLESS OTHERWISE SPECIFIED:
DIMENSIONS ARE IN INCHES
TOLERANCES:
FRACTIONAL ± 1/8"
ONE PLACE DECIMAL ± .25"
TWO PLACE DECIMAL ± .125"
THREE PLACE DECIMAL ± .063"

TANK MATERIAL:
HDPE

INNER TANK S/N:
-

OUTER TANK S/N:
-

CUSTOMER PO#
-

DO NOT SCALE DRAWING

| | NAME | DATE |
|-----------|------|---------|
| DRAWN | NBH | 6/22/16 |
| CHECKED | | |
| ENG APPR. | | |
| MFG APPR. | | |
| Q.A. | | |
| COMMENTS: | | |



| | | |
|-----------------------------------|---|--------------|
| PROJECT: - | | |
| CUSTOMER: PEABODY STANDARD | | |
| SITE/LOCATION: FOB: AL, TX | | |
| DRAWING#: | | |
| SIZE | DESC. | REV. |
| B | 8400 GA VERTICAL TANK Ø120" x 187" | |
| SCALE: 1:44 | | SHEET 1 OF 1 |

8 7 6 5 4 3 2 1