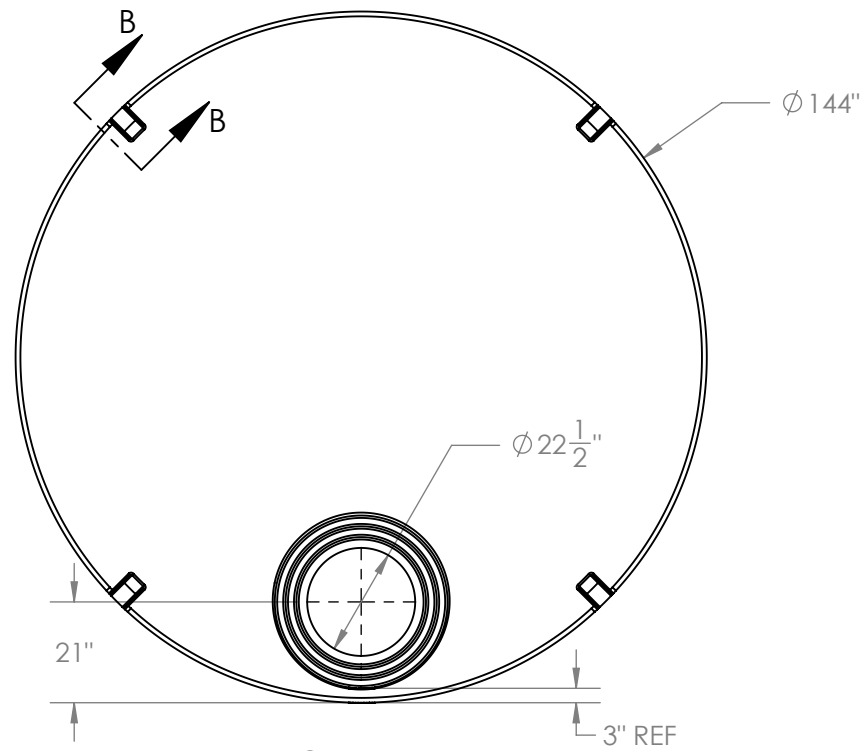
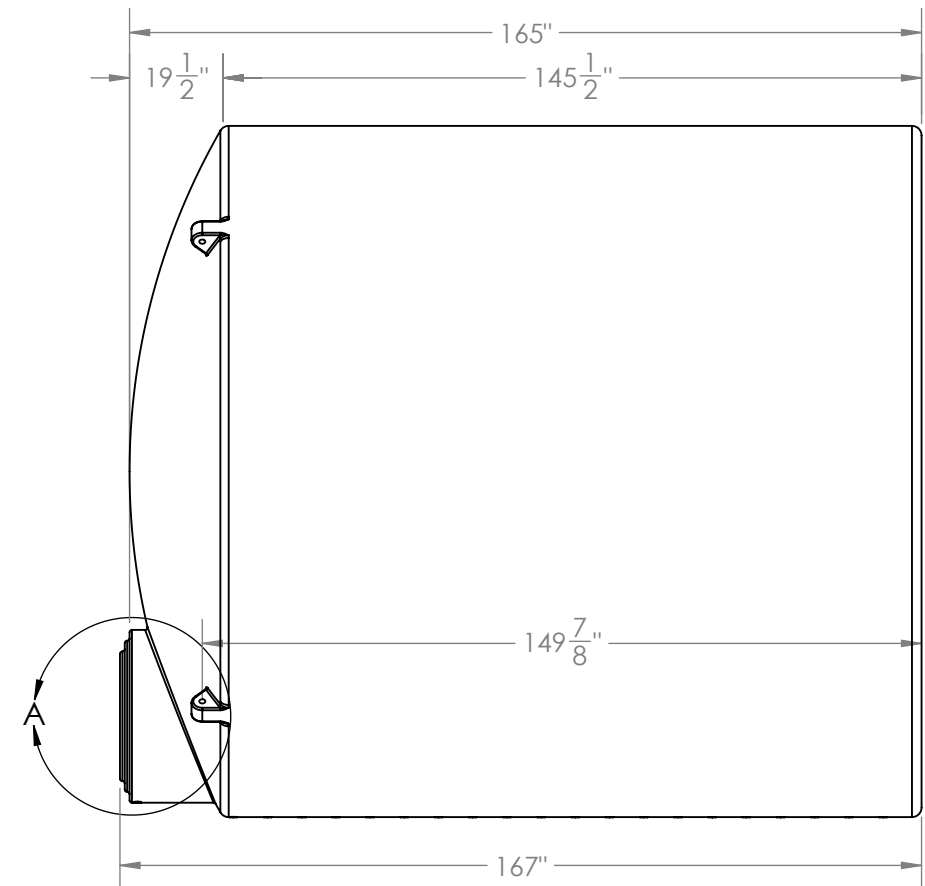


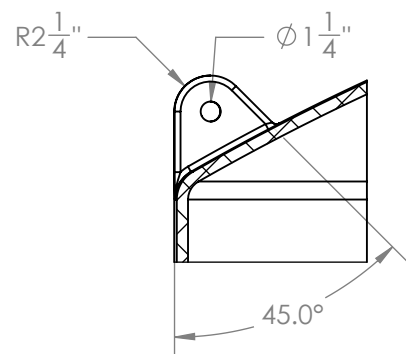
FRONT VIEW



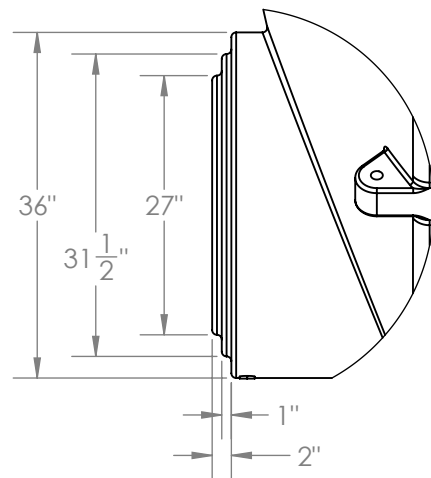
TOP VIEW



SIDE VIEW



SECTION B-B
SCALE 1 : 12



DETAIL A
SCALE 1 : 20

STANDARD SPECS:
22" FILL OPENING,
(1) 3" POLYPROPYLENE FITTING
WITH 2" REDUCER & SIPHON TUBE
IN STANDARD LOCATIONS

PROPRIETARY AND CONFIDENTIAL
THE INFORMATION CONTAINED IN THIS
DRAWING IS THE SOLE PROPERTY OF
PEABODY ENGINEERING. ANY
REPRODUCTION IN PART OR AS A WHOLE
WITHOUT THE WRITTEN PERMISSION OF
PEABODY ENGINEERING IS
PROHIBITED.

UNLESS OTHERWISE SPECIFIED:
DIMENSIONS ARE IN INCHES
TOLERANCES:
FRACTIONAL ± 1/8"
ONE PLACE DECIMAL ± .25"
TWO PLACE DECIMAL ± .125"
THREE PLACE DECIMAL ± .063"

TANK MATERIAL:
HDPE

INNER TANK S/N:
-

OUTER TANK S/N:
-

CUSTOMER PO#
-

DO NOT SCALE DRAWING

	NAME	DATE
DRAWN	NBH	6/27/16
CHECKED		
ENG APPR.		
MFG APPR.		
Q.A.		
COMMENTS:		



PROJECT: -
CUSTOMER: **PEABODY STANDARD**
SITE/LOCATION: **FOB: AL**
DRAWING#:

SIZE	DESC.	REV.
B	11,000 GA VERTICAL TANK Ø144" x 167"	

SCALE: 1:40 SHEET 1 OF 1