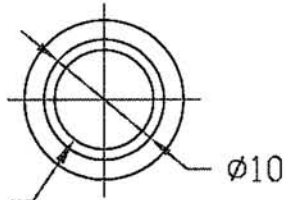
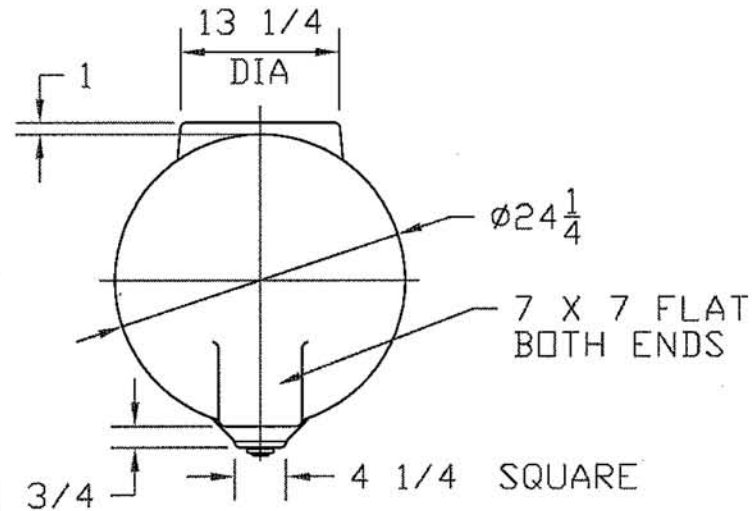
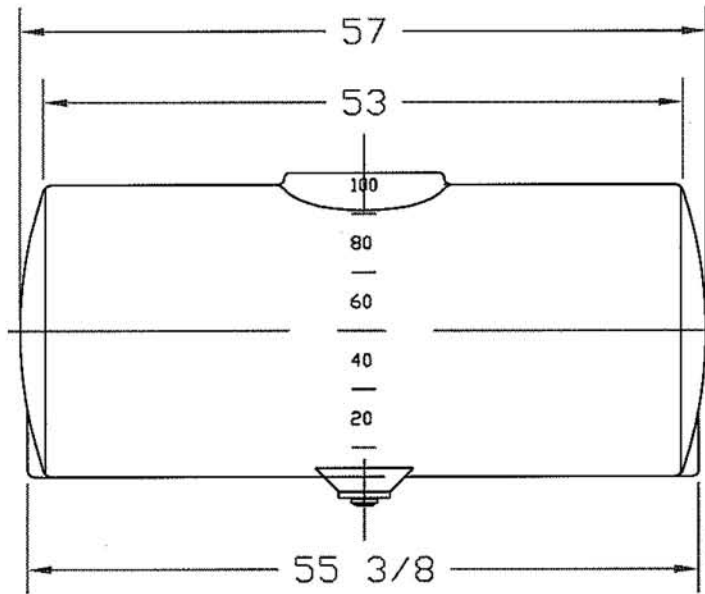



ZONE	REV	DESCRIPTION	DATE	APPROVED
	A	LID REVISED	24MAR03	



8 1/4 ACME THD,
RH, FOR 60002 LID



		 PEABODY engineering			
		100 GALLON APPLICATOR TANK			
JTP	8MAR96	SIZE A	FSCM NO.	DWG NO. 60204	REV
		SCALE 1/16			SHEET