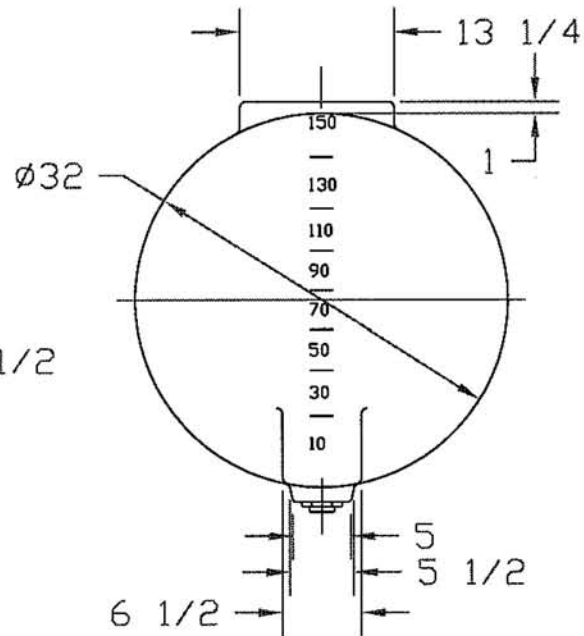
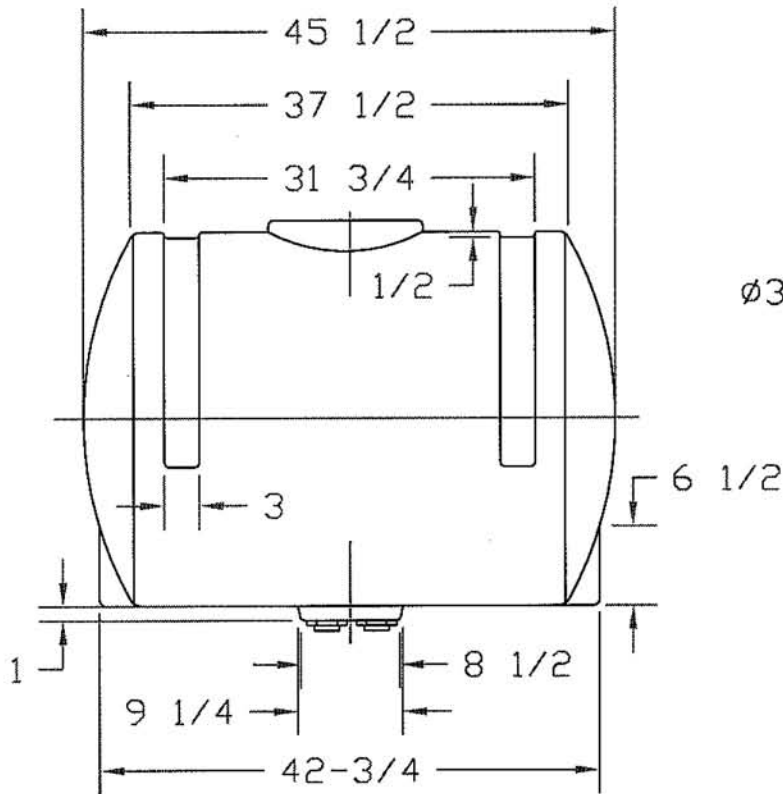
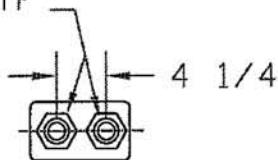


8 1/4 ACME THD,
RH, FOR 60002 LID



- 31 1/4
- 28 1/4
- 25 29/32
- 23 7/8
- 22
- 20 1/4
- 18 17/32
- 16 27/32
- 15 5/32
- 13 15/32
- 11 3/4
- 10
- 8 1/8
- 6 3/32
- 3 3/4
- 0

1-1/4" NPTF



REVISIONS				
ZONE	REV	DESCRIPTION	DATE	APPROVED
	A	FITTINGS UPDATED	08NOV02	

JTP 30MAY95				
		150 GALLON X 32 DIA APPLICATOR TANK		
SIZE A	FSCM NO.	DWG NO.	REV A	
SCALE 1/16		SHEET		