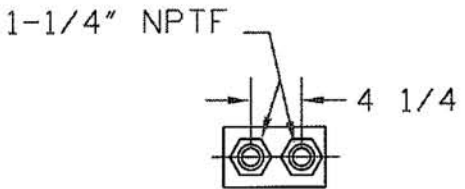
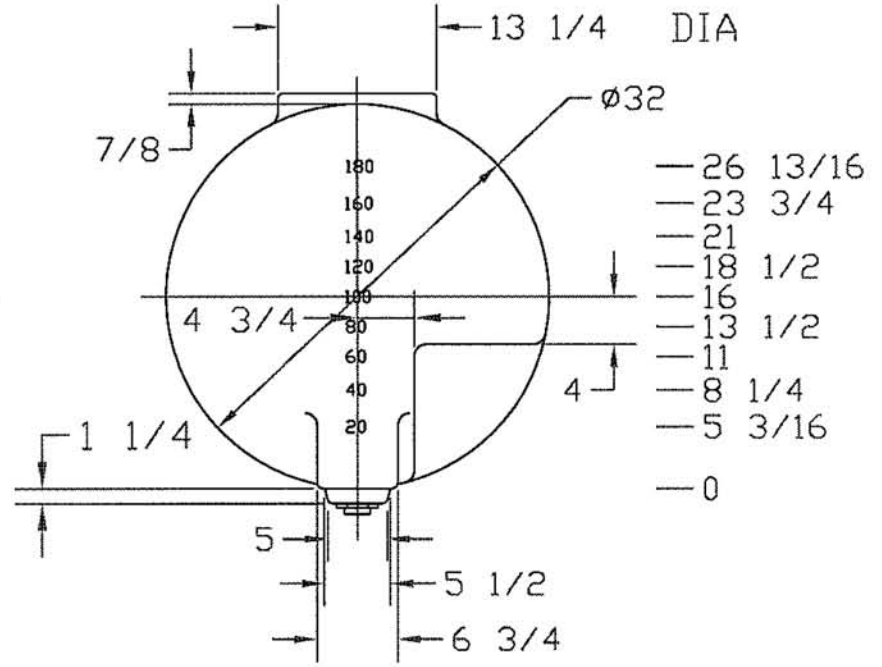
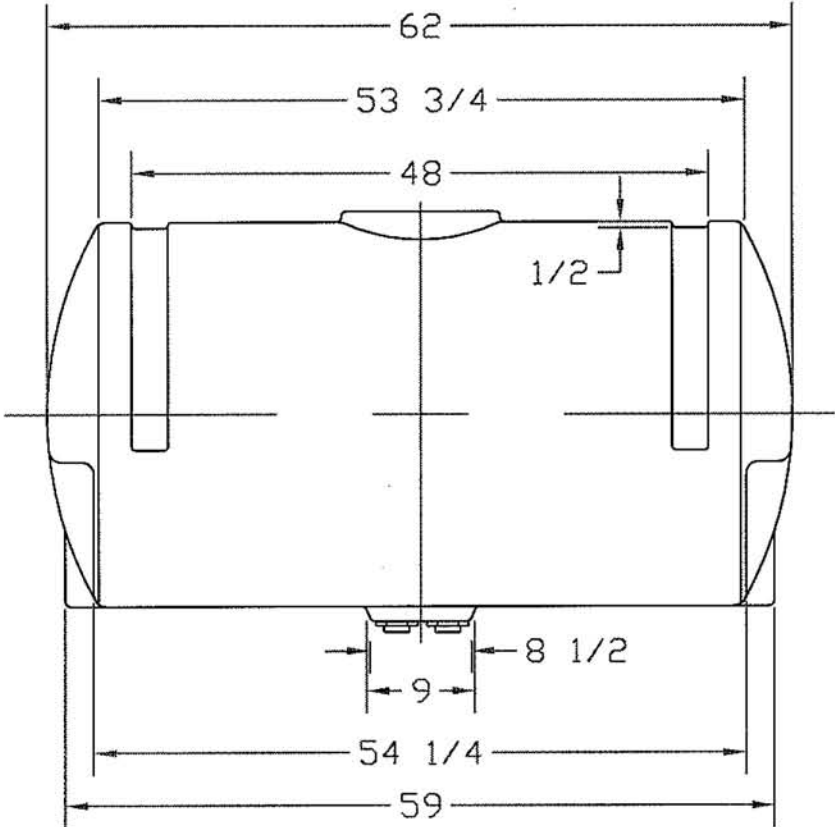
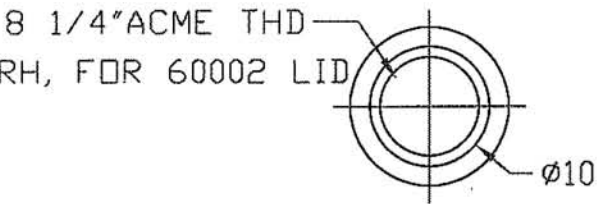


REVISIONS

ZONE	REV	DESCRIPTION	DATE	APPROVED
	A	REVISED & REDRAWN	22FEB95	
	B	FITTINGS UPDATED	09DEC02	



<p>200 GALLON X 32 DIA APPLICATOR TANK</p>			
JTP	22FEB95	SIZE A	FSCM NO.
		DWG NO.	REV B
SCALE 1/16		SHEET	