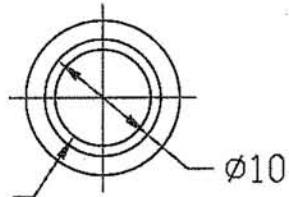
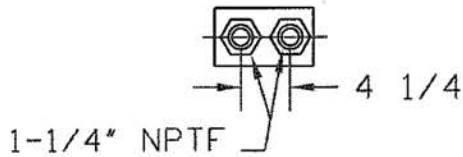
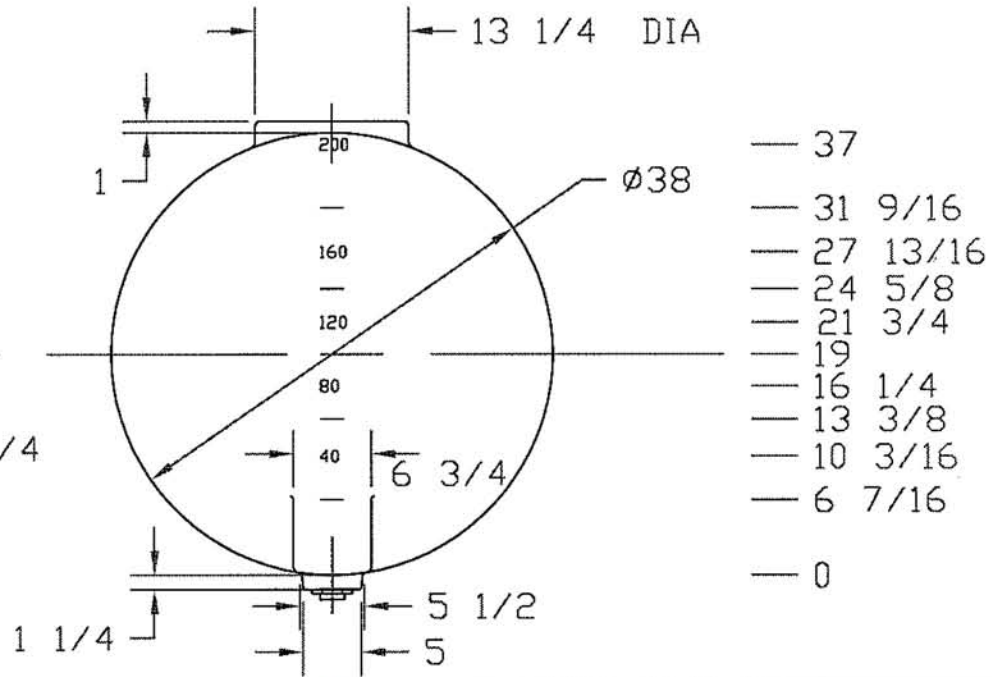
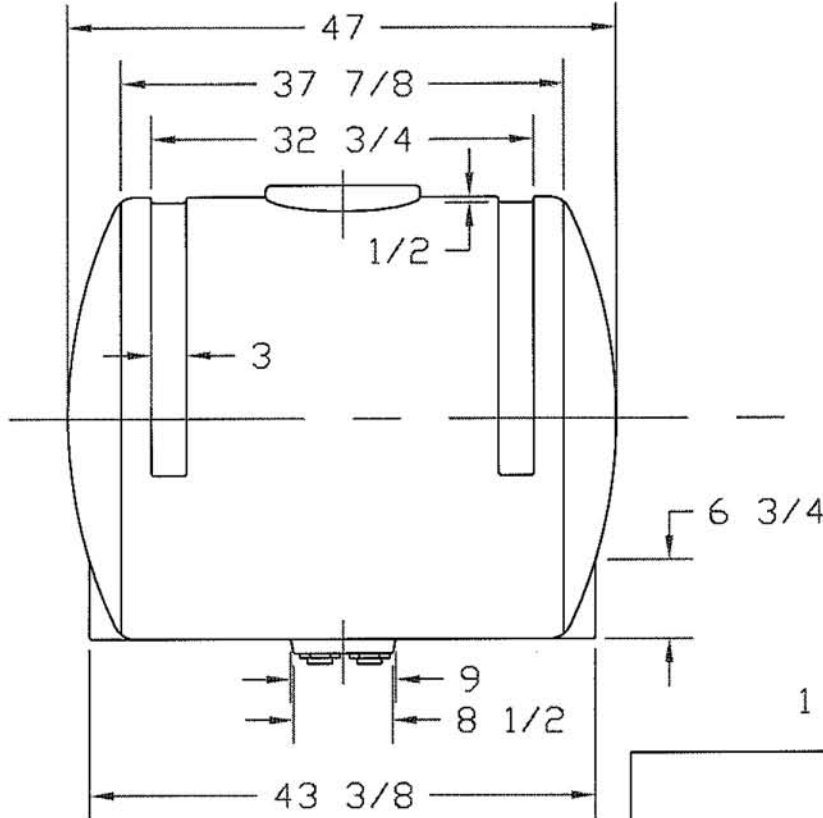


REVISIONS				
ZONE	REV	DESCRIPTION	DATE	APPROVED
	A	FITTINGS UPDATED	09DEC02	



8 1/4 ACME THD,
RH, FOR 60002 LID



				200 GALLON X 38 DIA APPLICATOR TANK	
SIZE	FSCM NO.	DWG NO.	REV		
A			A		
SCALE 1/16		SHEET			