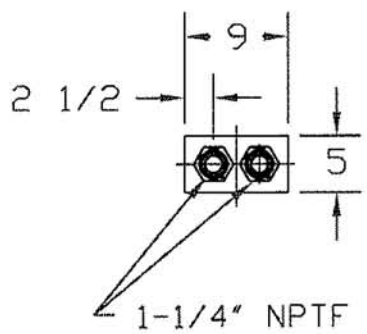
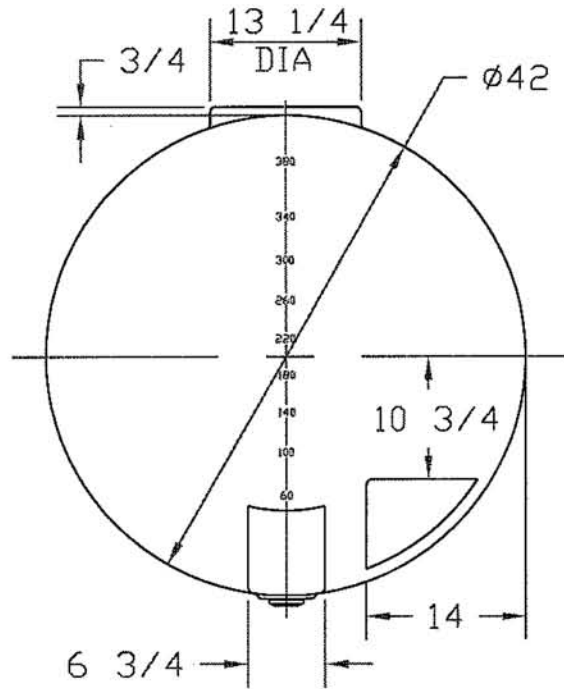
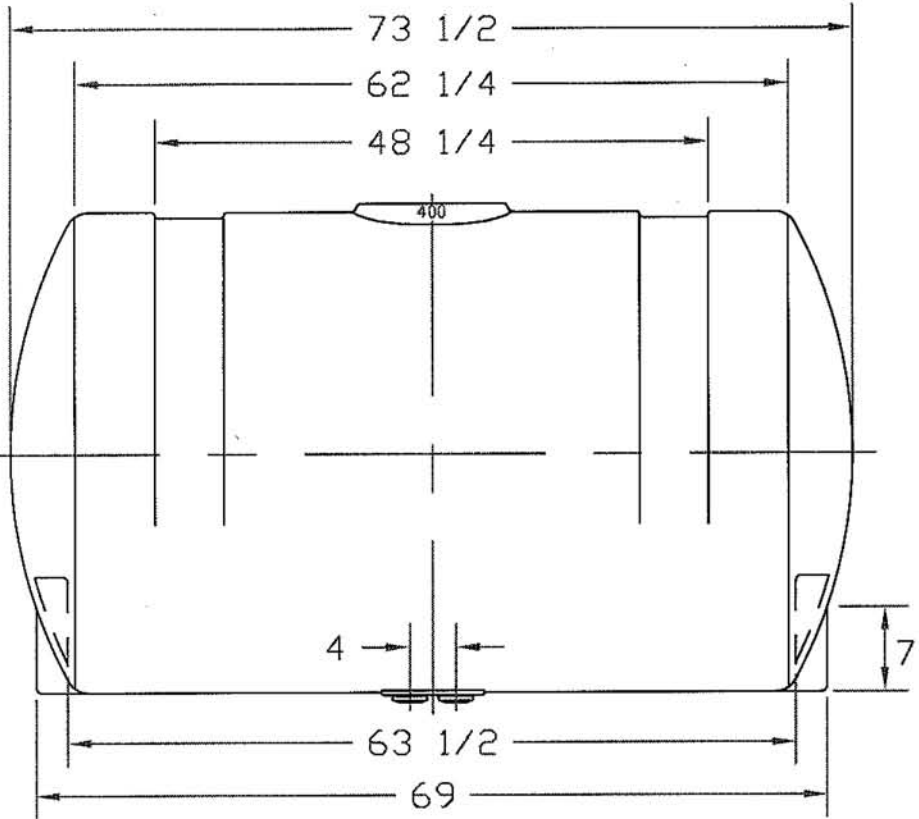



REVISIONS				
ZONE	REV	DESCRIPTION	DATE	APPROVED
	C	REDRAWN	22AUG97	
	D	FITTINGS UPDATED	09DEC02	



		 <b>PEABODY</b> engineering	
		<h1>400 GALLON APPLICATOR TANK</h1>	
JTP	22AUG97	SIZE A	FSCM NO.
		DWG NO.	REV D
		SCALE 1/16	SHEET