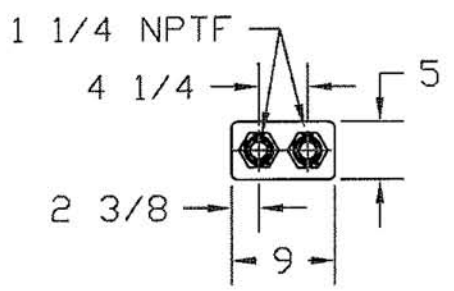
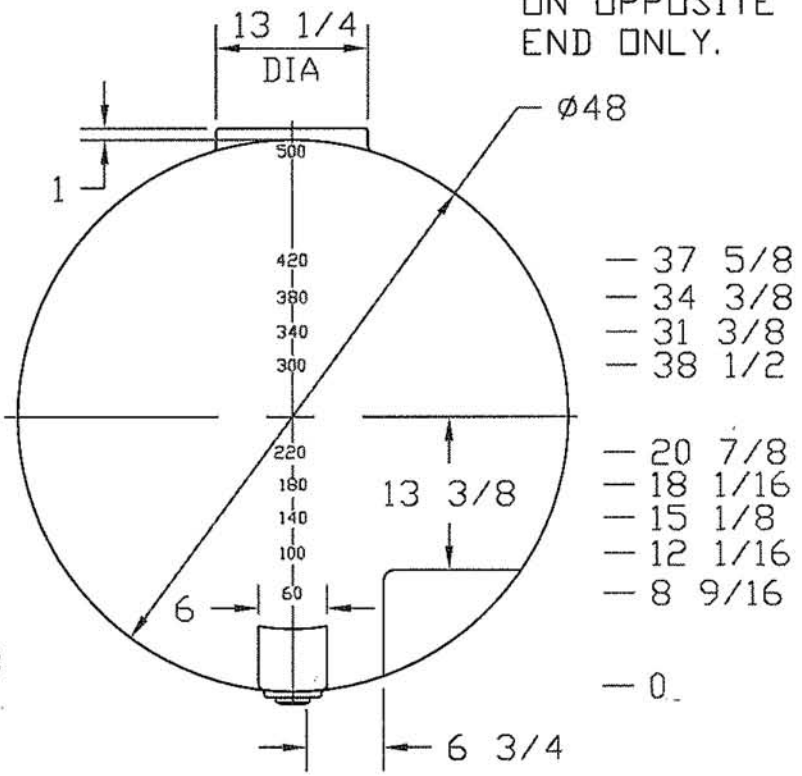
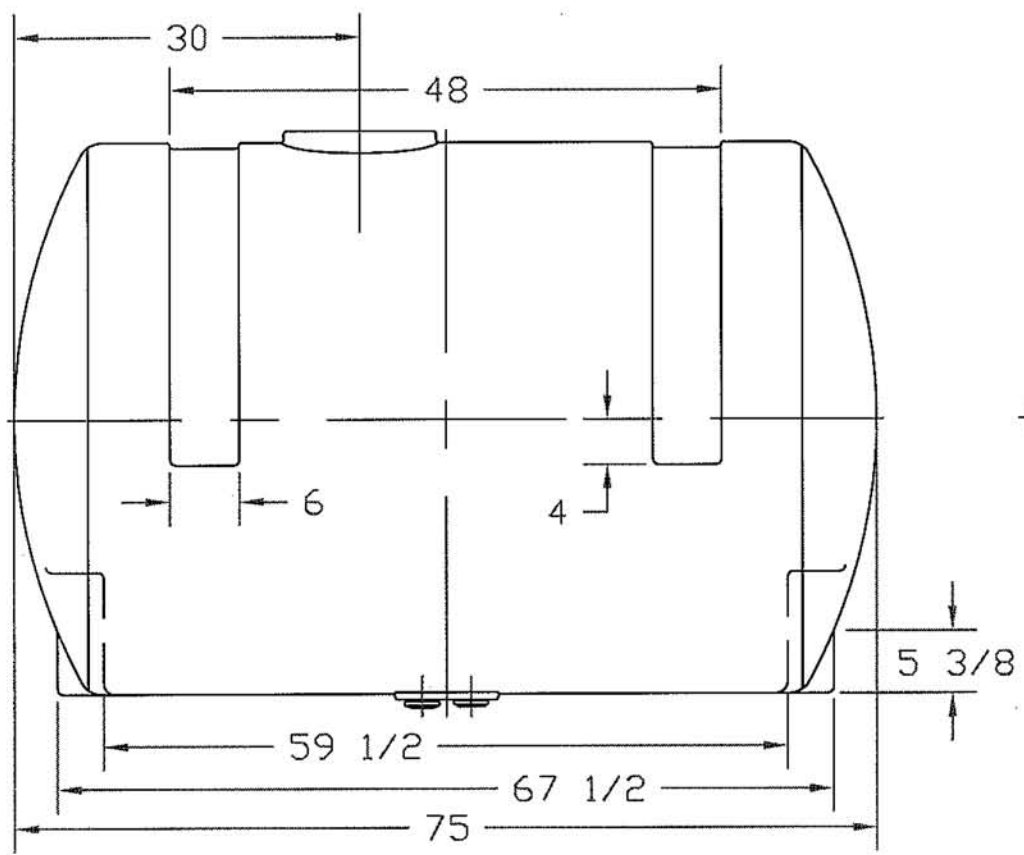


REVISIONS				
ZONE	REV	DESCRIPTION	DATE	APPROVED
	E	REDRAWN	16SEP97	
	F	FITTINGS UPDATED	09DEC02	

NOTE: GALLON MARKS ON OPPOSITE END ONLY.



JTP 16SEP97				500 GALLON APPLICATOR TANK	
SCALE 1/16		SHEET			