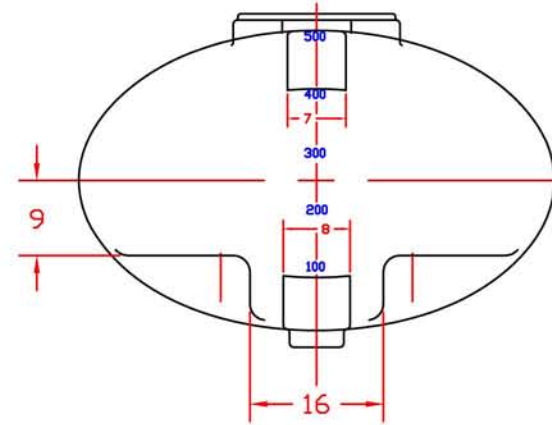
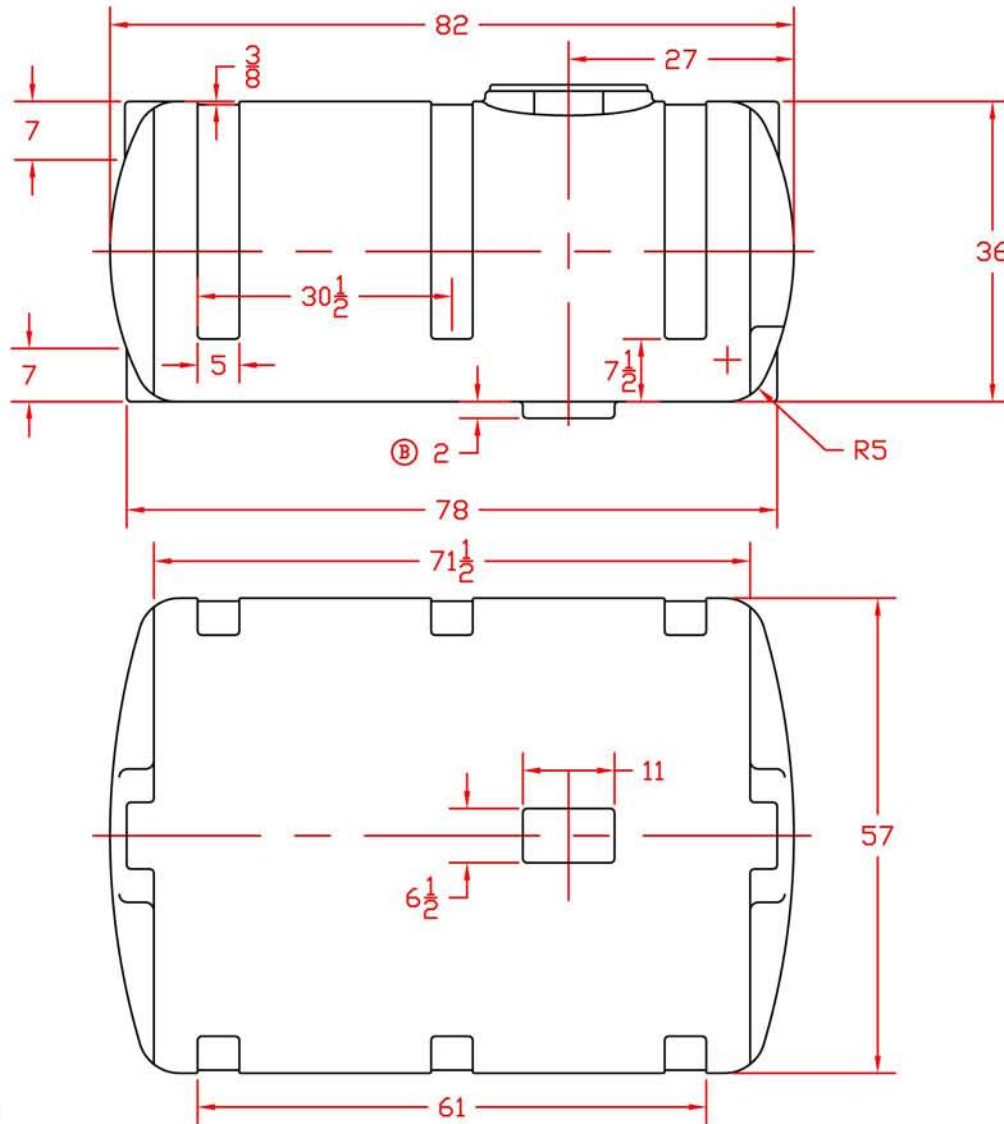



REVISIONS				
ZONE	REV	DESCRIPTION	DATE	APPROVED
	A	REDRAWN	15AUG97	
	B	WAS 5	29DEC06	
	C	ADDED GA	23OCT09	



FILLWELL DETAIL
1/8 SCALE

		 PEABODY engineering	
		500 GALLON ELLIPTICAL SPRAYER TANK	
JTP	15AUG97	SIZE B	FSCM NO. DWG NO.
		SCALE 1/16	SHEET
			REV B

©