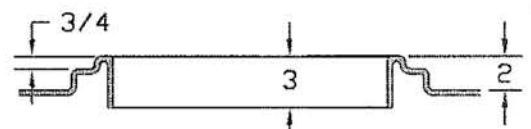
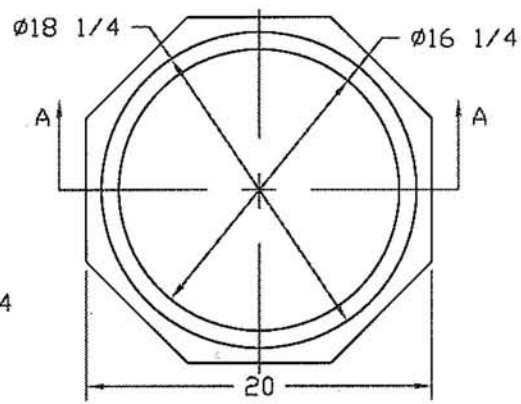
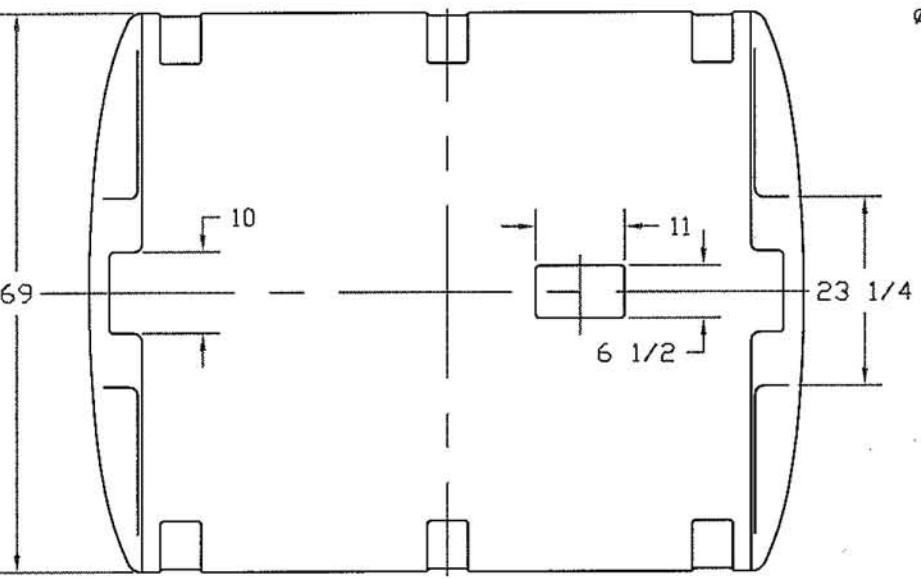
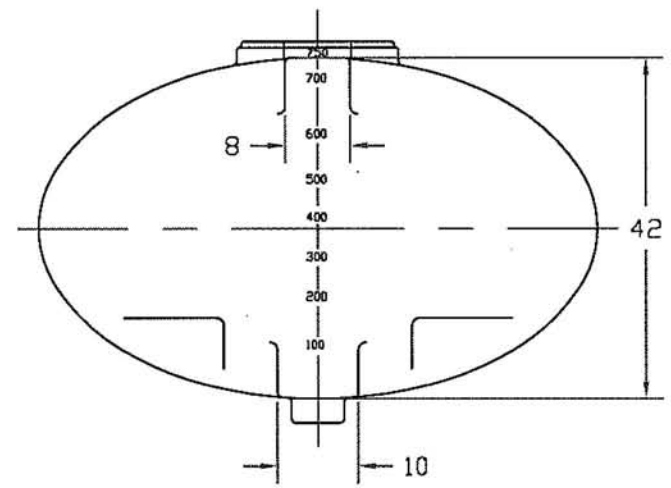
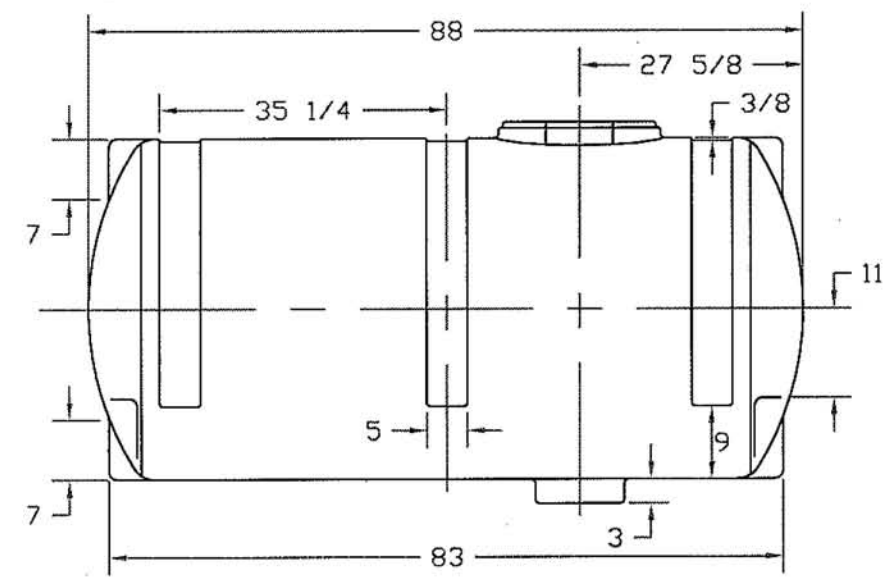


| REVISIONS |     |             |         |          |
|-----------|-----|-------------|---------|----------|
| ZONE      | REV | DESCRIPTION | DATE    | APPROVED |
|           | A   | REDRAWN     | 29OCT96 |          |



SECTION A-A

FILLWELL DETAILS  
1/8 SCALE

|             |  |        |          |                            |     |
|-------------|--|--------|----------|----------------------------|-----|
| JTP 29OCT96 |  |        |          | 750 GALLON ELLIPTICAL TANK |     |
|             |  | SIZE B | FSCM NO. | UNG. NO.                   | REV |
| SCALE 1/16  |  | SHEET  |          |                            |     |