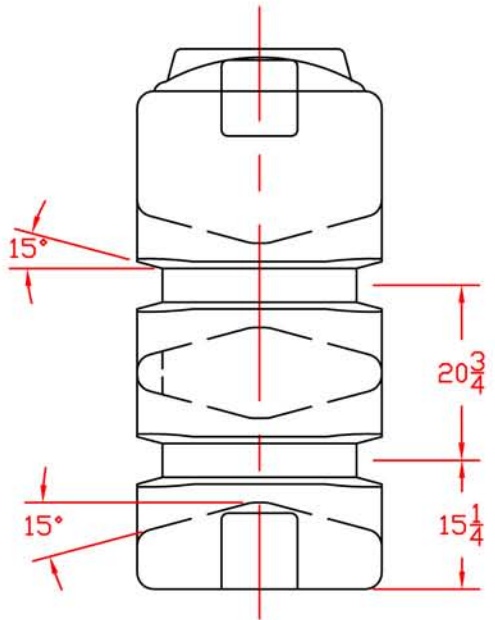
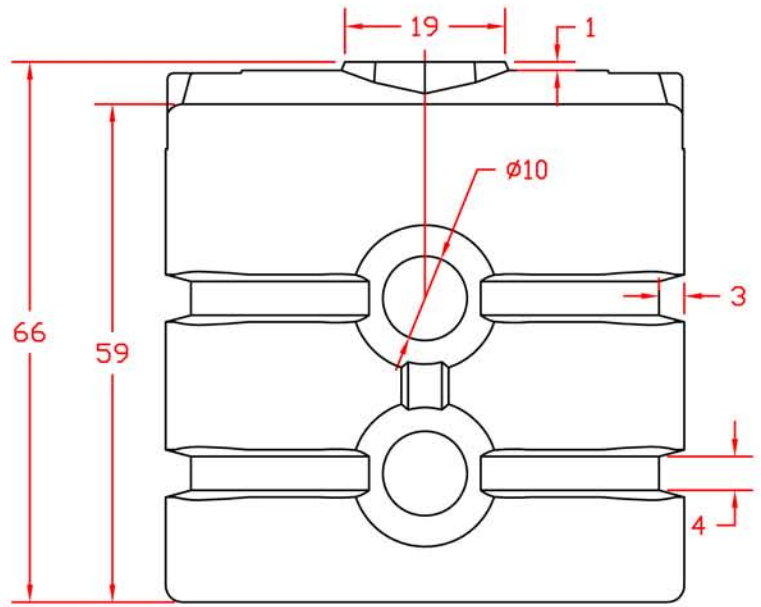
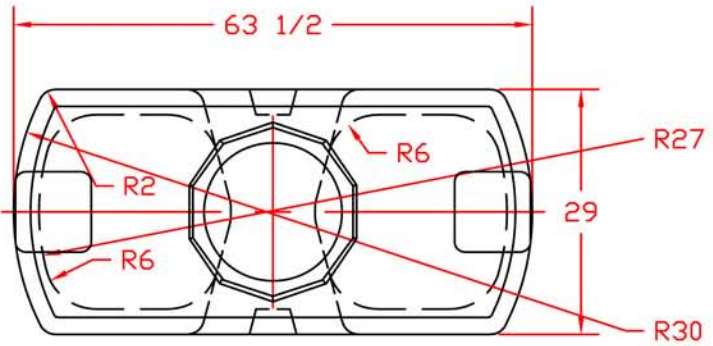


REVISIONS

ZONE	REV	DESCRIPTION	DATE	APPROVED
	A	DIMS UPDATED	10DEC10	



400 GALLON  
FREESTANDING WATER TANK

JTP	13MAR00	SIZE B	FSCM NO.	DWG NO.	REV A
-----	---------	-----------	----------	---------	----------