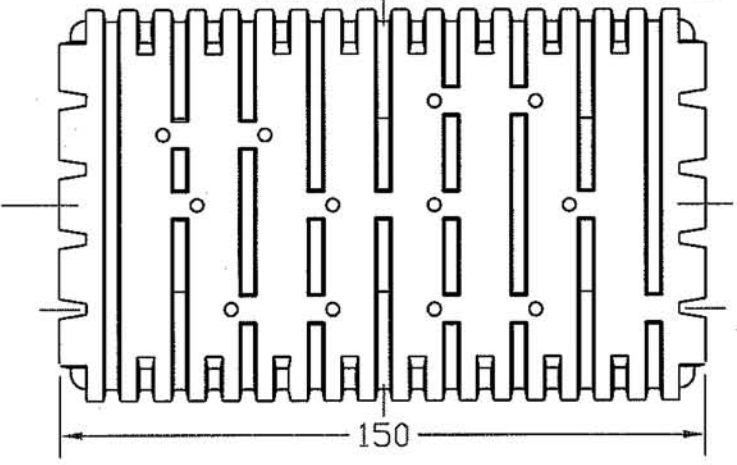
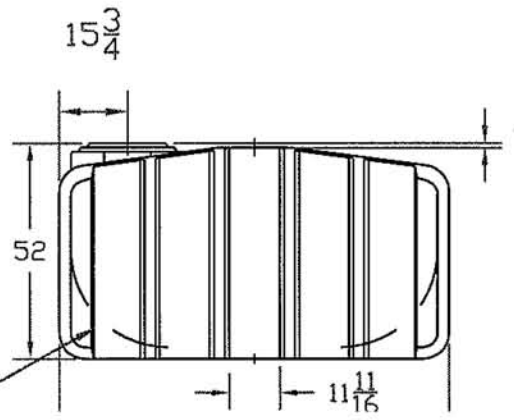
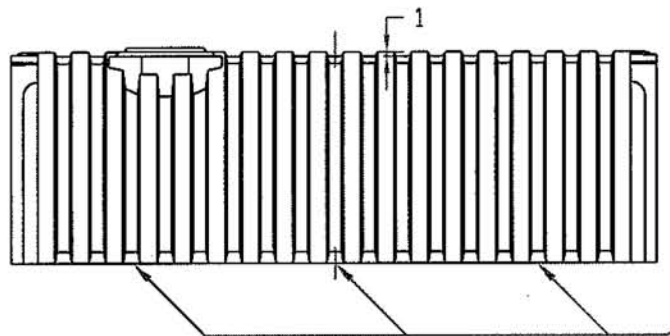
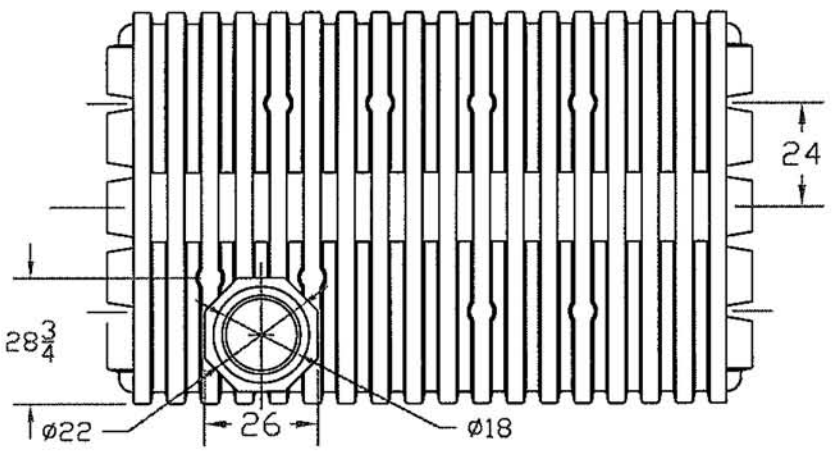



ZONE	REV	DESCRIPTION	DATE	APPROVED
	C	REDRAWN, ENDS REV'D	30APR02	



JTP 30APR02				2400 GALLON HORIZONTAL TANK	
				SIZE B	FSCM NO.
SCALE 1/32				SHEET	