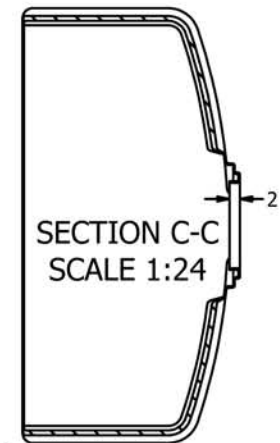
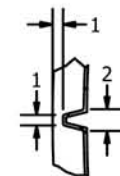
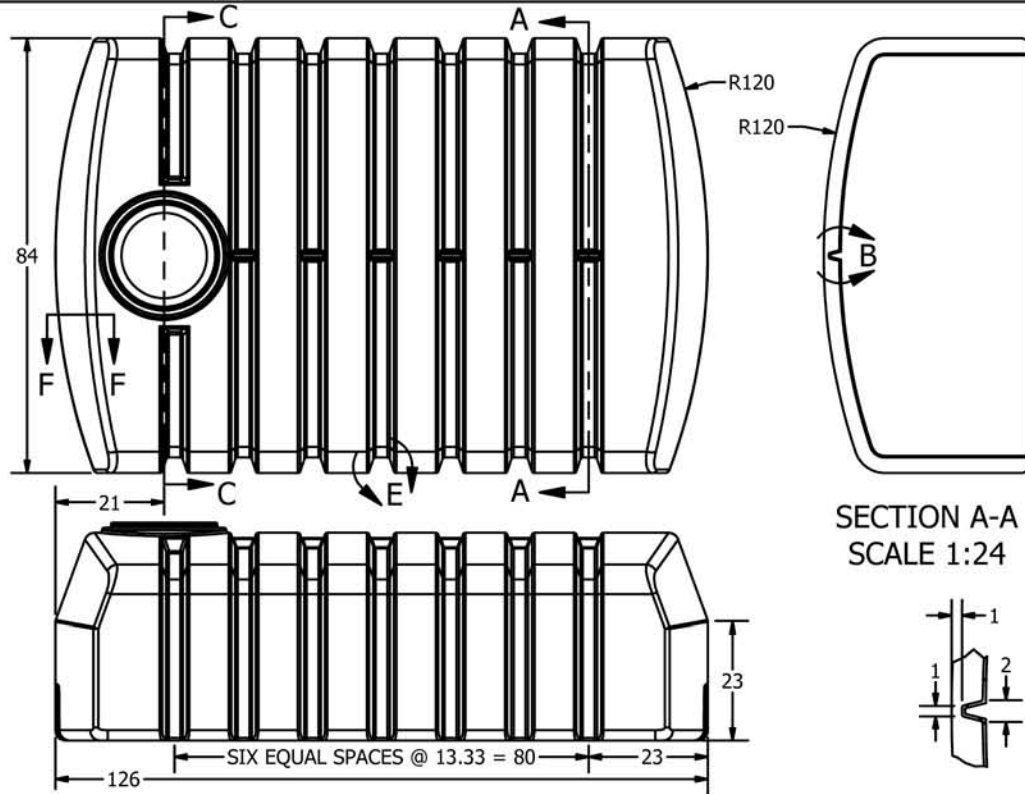


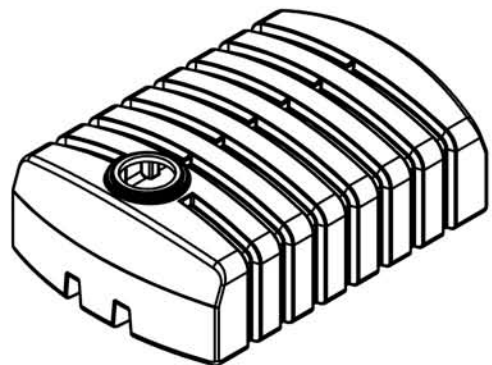
DETAIL E
SCALE 1 / 12




SECTION F-F
SCALE 1:24



DETAIL B
SCALE 1 / 12



DRAWN Jerry Paulson	3/20/2009			
CHECKED				
QA		TITLE		
MFG		1600 GALLON LOW PROFILE WATER TANK		
APPROVED		SIZE B	DWG NO	REV
SCALE: 1/24		SHEET 1 OF 1		