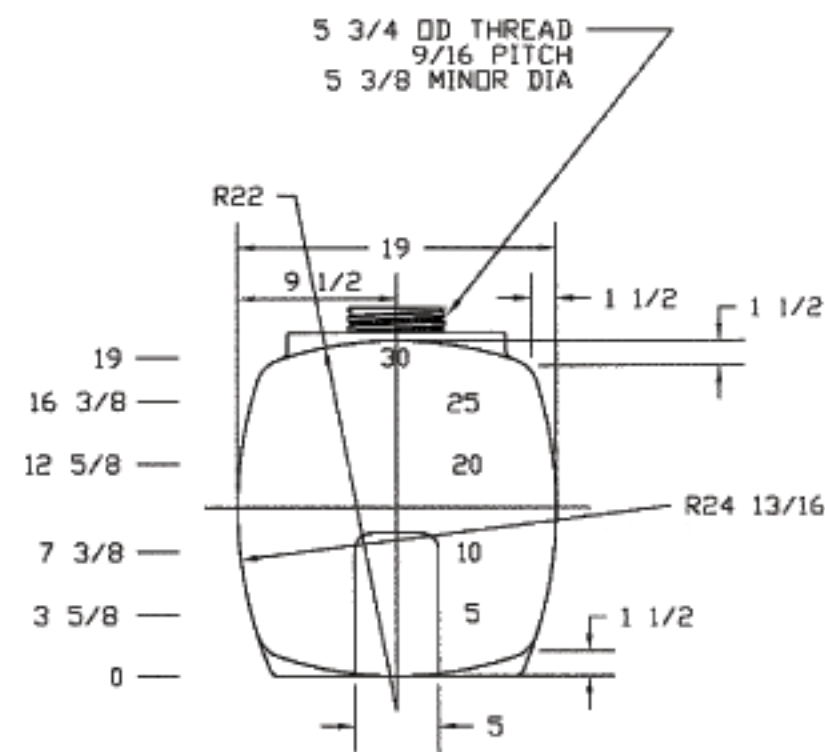


REVISIONS				
ZONE	REV	DESCRIPTION	DATE	APPROVED



		<b>30 GALLON PCO TANK</b>		
		JTP	22JUL99	SCALE 1/8
SIZE	FSOM NO.	DWG NO.	REV	
B				