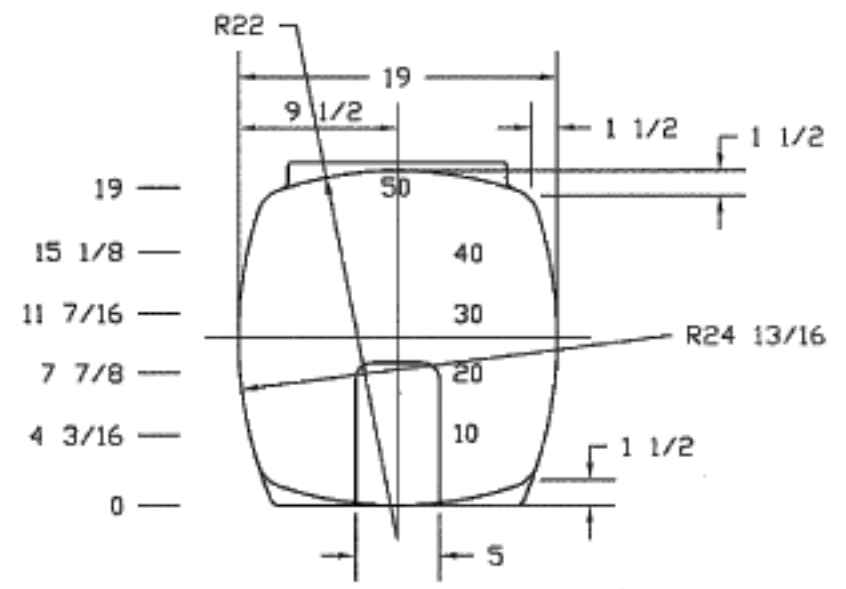
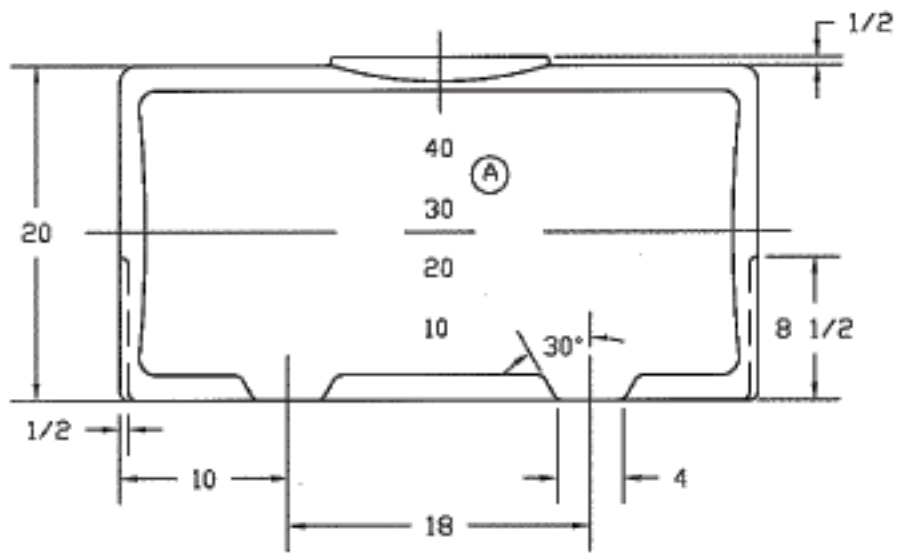



REVISIONS				
ZONE	REV	DESCRIPTION	DATE	APPROVED
	A	ADDED GAL MARKS	29MAR96	



			
50 GALLON PCO TANK			
JTP	14JUL95	SIZE B	PSOM NO.
		ENG NO.	REV
SCALE 1/8		SHEET	