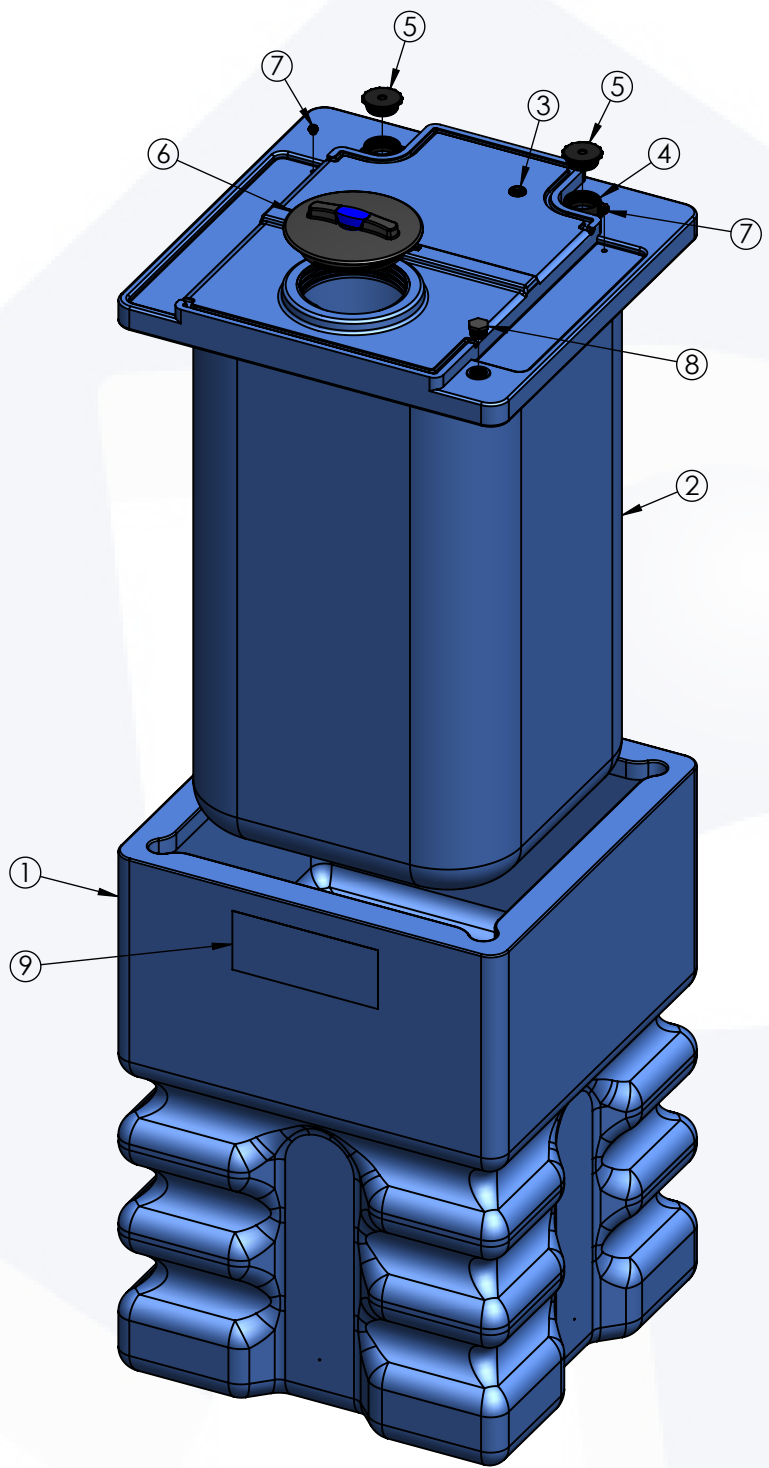


**ISOMETRIC VIEW  
(ASSEMBLED)**




**ISOMETRIC VIEW  
(EXPLODED)**

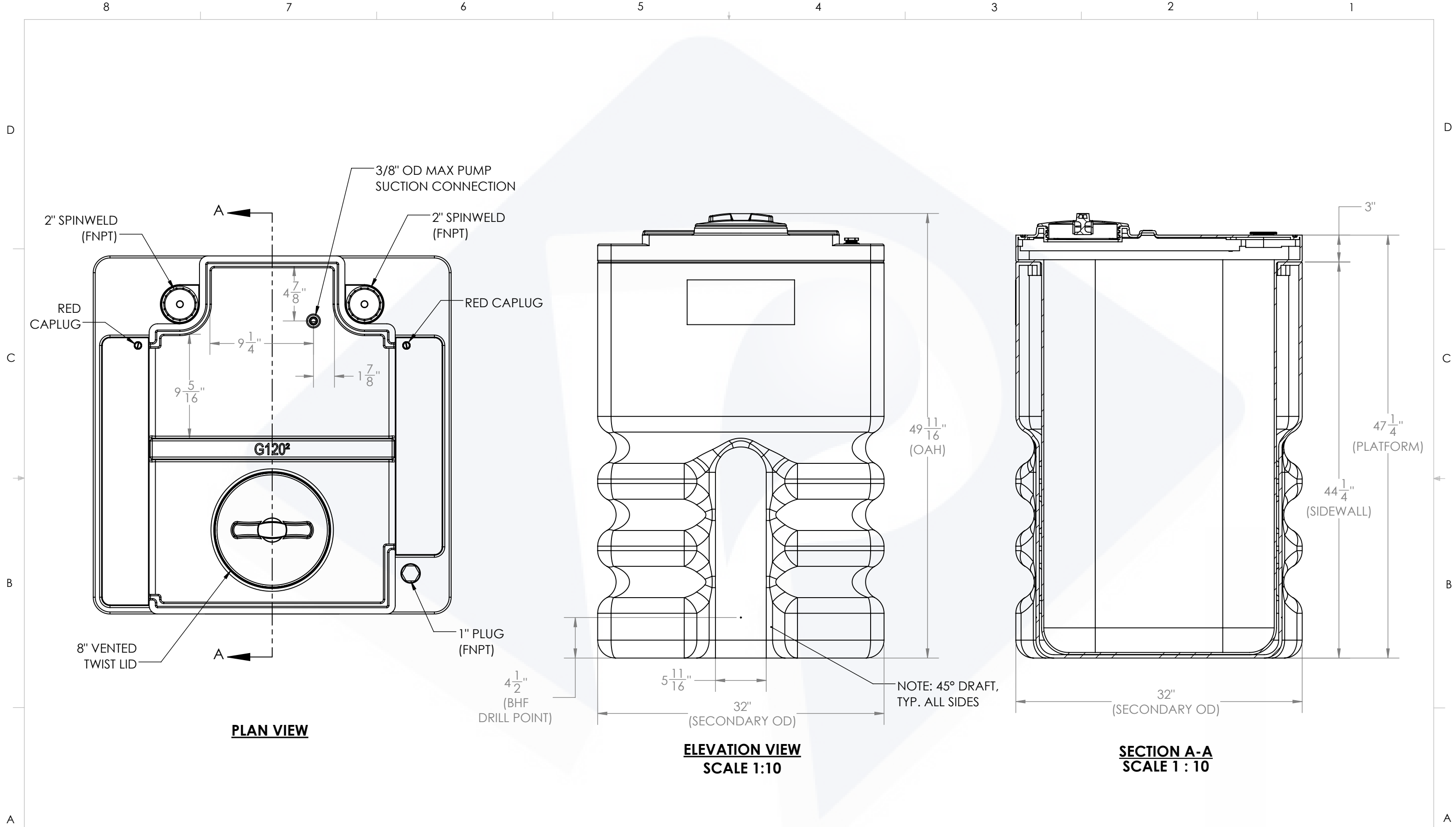
ALTERNATE CONFIGURATION TO MEET  
NSF / ANSI STANDARD 61 AVAILABLE

TOP LEVEL ASSEMBLY		
ITEM NO.	DESCRIPTION	QTY.
1	120G GEMINI <sup>2</sup> , SECONDARY TANK	1
2	120G GEMINI <sup>2</sup> , PRIMARY TANK	1
3	1-1/4" CAPLUG / GROMMET SUB-ASSY	1
4	Ø2" FNPT SPIN WELD FITTING, PE	2
5	Ø2" MPT PLUG, PE, BLACK	2
6	Ø8" VENTED TWIST LID ASSEMBLY	1
7	RED CAPLUG / O-RING SUB-ASSY	2
8	Ø1" MPT PLUG, PE, BLACK	1
9	GEMINI <sup>2</sup> MOLD IN LOGO	1

- NOTES:**
- CAPACITY: 120 GAL. NOMINAL
  - SERVICE PRESSURE: ATMOSPHERIC

**PROPRIETARY AND CONFIDENTIAL**  
THE INFORMATION CONTAINED IN THIS DRAWING IS THE SOLE PROPERTY OF PEABODY ENGINEERING. ANY REPRODUCTION IN PART OR AS A WHOLE WITHOUT THE WRITTEN PERMISSION OF PEABODY ENGINEERING IS PROHIBITED.

UNLESS OTHERWISE SPECIFIED:		NAME	DATE			
DIMENSIONS ARE IN INCHES TOLERANCES: ±1/4" ANGULAR: ± .5° ONE PLACE DECIMAL: ± .25 TWO PLACE DECIMAL: ± .125 THREE PLACE DECIMAL: ± .063		DRAWN	RFR 10/20/17			
TANK MATERIAL:		CHECKED		PROJECT: <b>GEMINI DUAL CONTAINMENT® TANKS</b>		
INNER TANK S/N:		ENG APPR.		CUSTOMER: <b>PEABODY STANDARD</b>		
OUTER TANK S/N:		MFG APPR.		SITE/LOCATION: <b>FOB: CORONA, CA</b>		
CUSTOMER PO#		Q.A.		SALES ORDER: -		
DO NOT SCALE DRAWING		<b>ALTERNATIVE VERSIONS</b>		SIZE	DESC.	REV.
		<b>MATERIALS: XLPE, PPL, PVDF</b> <b>COLORS: NATURAL, BLUE OR BLACK</b> <b>AVAILABLE WITH FRP WRAP</b>		<b>B</b>	<b>120 GALLON GEMINI<sup>2</sup> TANK, 32" x 32" x 50"</b>	<b>H</b>
		<b>CALL FOR PART NUMBERS</b>		SCALE: 1:14	SHEET 1 OF 2	



PROJECT: 120g Gemini<sup>2</sup>, CUSTOMER Print

SCALE: 1:8

SHEET 2 OF 2