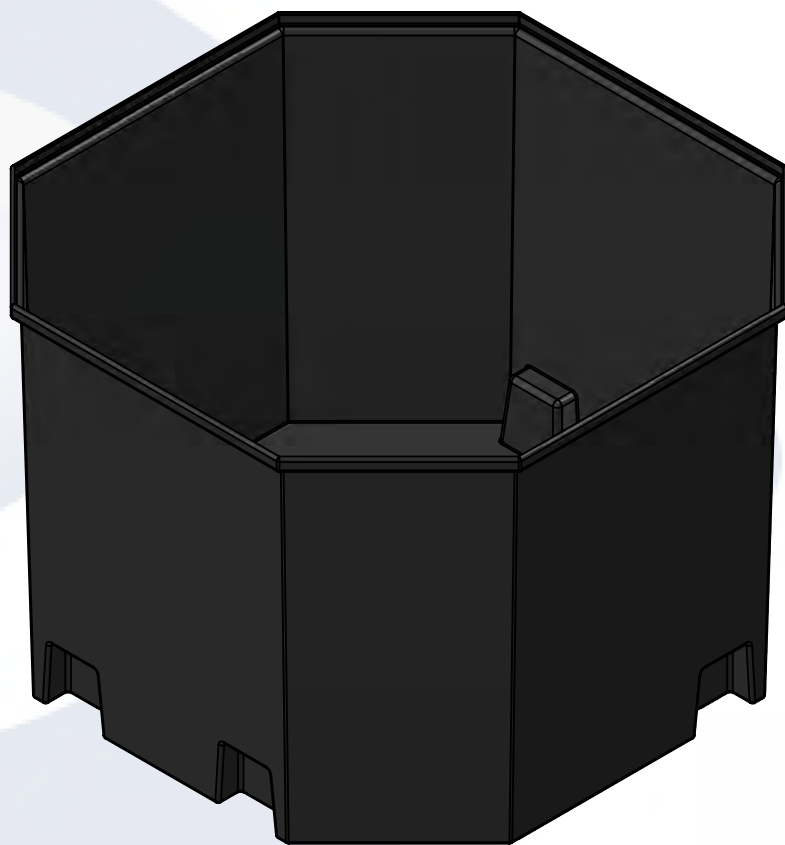
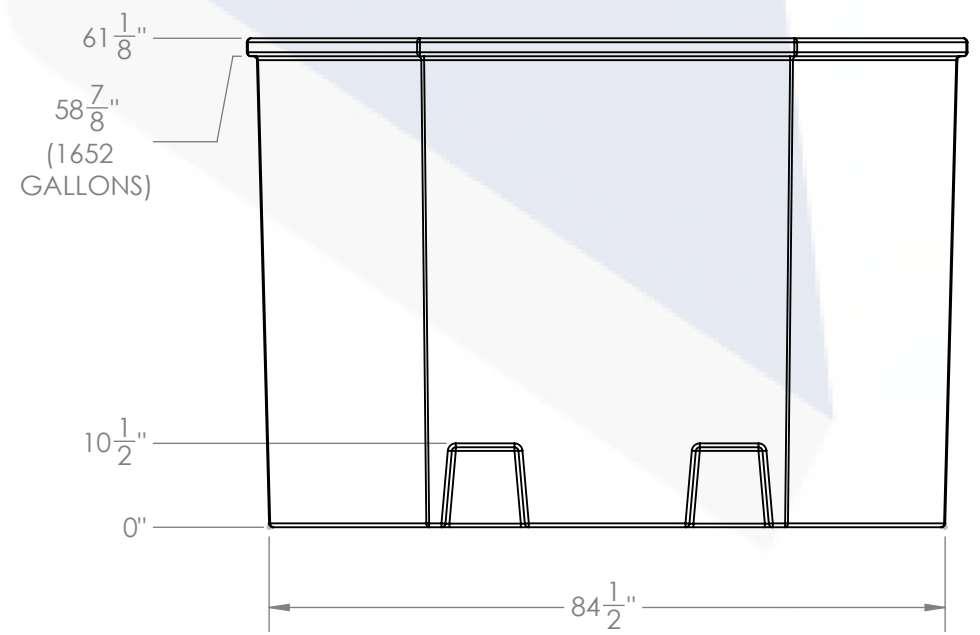
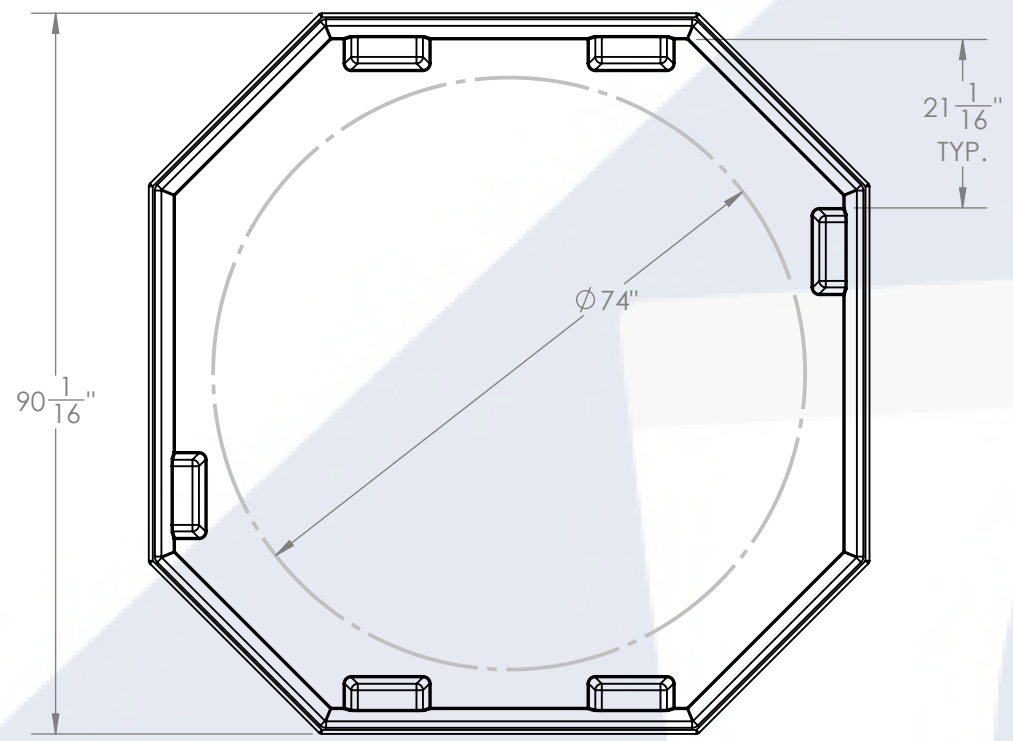


D
C
B
A

D
C
B
A



- NOTES:**
1. CAPACITY: 1650 GAL. NOMINAL
 2. TANK MATERIAL: LLDPE W/ UV INHIBITOR
 3. SERVICE PRESSURE: ATMOSPHERIC

PROPRIETARY AND CONFIDENTIAL
 THE INFORMATION CONTAINED IN THIS DRAWING IS THE SOLE PROPERTY OF PEABODY ENGINEERING. ANY REPRODUCTION IN PART OR AS A WHOLE WITHOUT THE WRITTEN PERMISSION OF PEABODY ENGINEERING IS PROHIBITED.

UNLESS OTHERWISE SPECIFIED:		NAME	DATE	
DIMENSIONS ARE IN INCHES TOLERANCES: ±1/4" ANGULAR: ±.5° ONE PLACE DECIMAL: ±.25 TWO PLACE DECIMAL: ±.125 THREE PLACE DECIMAL: ±.063		DRAWN	RFR 01/28/19	
TANK MATERIAL: LLDPE		CHECKED		PROJECT: PROCHEM® CONTAINMENT BASIN
INNER TANK S/N:		ENG APPR.		CUSTOMER: PEABODY STANDARD
OUTER TANK S/N:		MFG APPR.		SITE/LOCATION: FOB: CORONA, CA
CUSTOMER PO#		Q.A.		SALES ORDER: 253-33345
DO NOT SCALE DRAWING		ALTERNATIVE VERSIONS MATERIALS: XLPE, PPL, PVDF COLORS: NATURAL, BLUE OR BLACK AVAILABLE WITH FRP WRAP		SIZE DESC. REV. B PROCHEM® - 1,650 GALLON, 1500, 90" x 90" x 61" -
CALL FOR PART NUMBERS			SCALE: 1:24	SHEET 1 OF 1