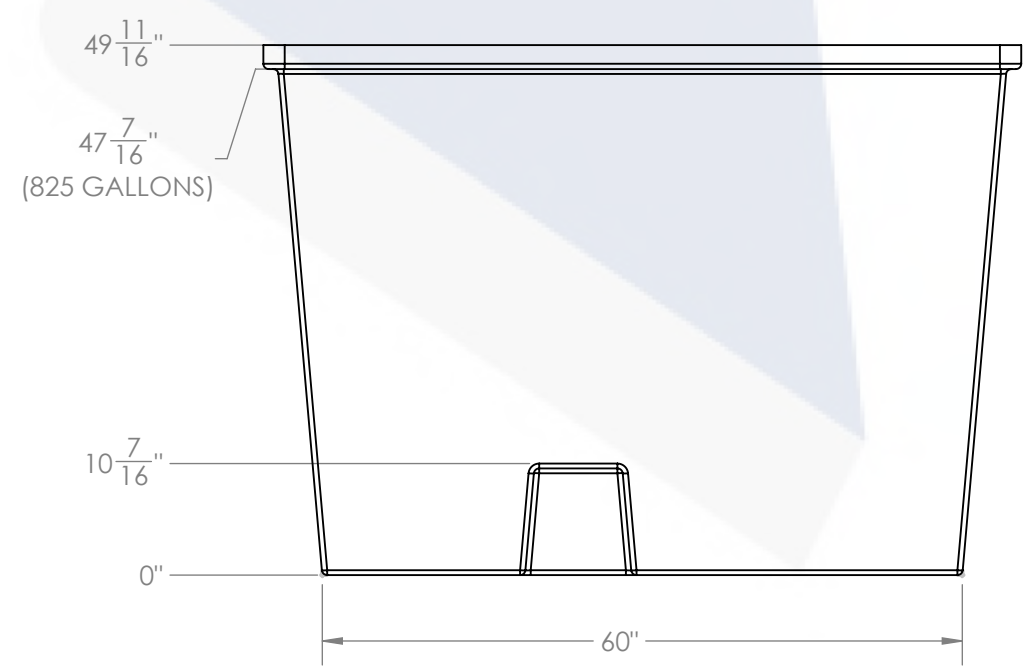
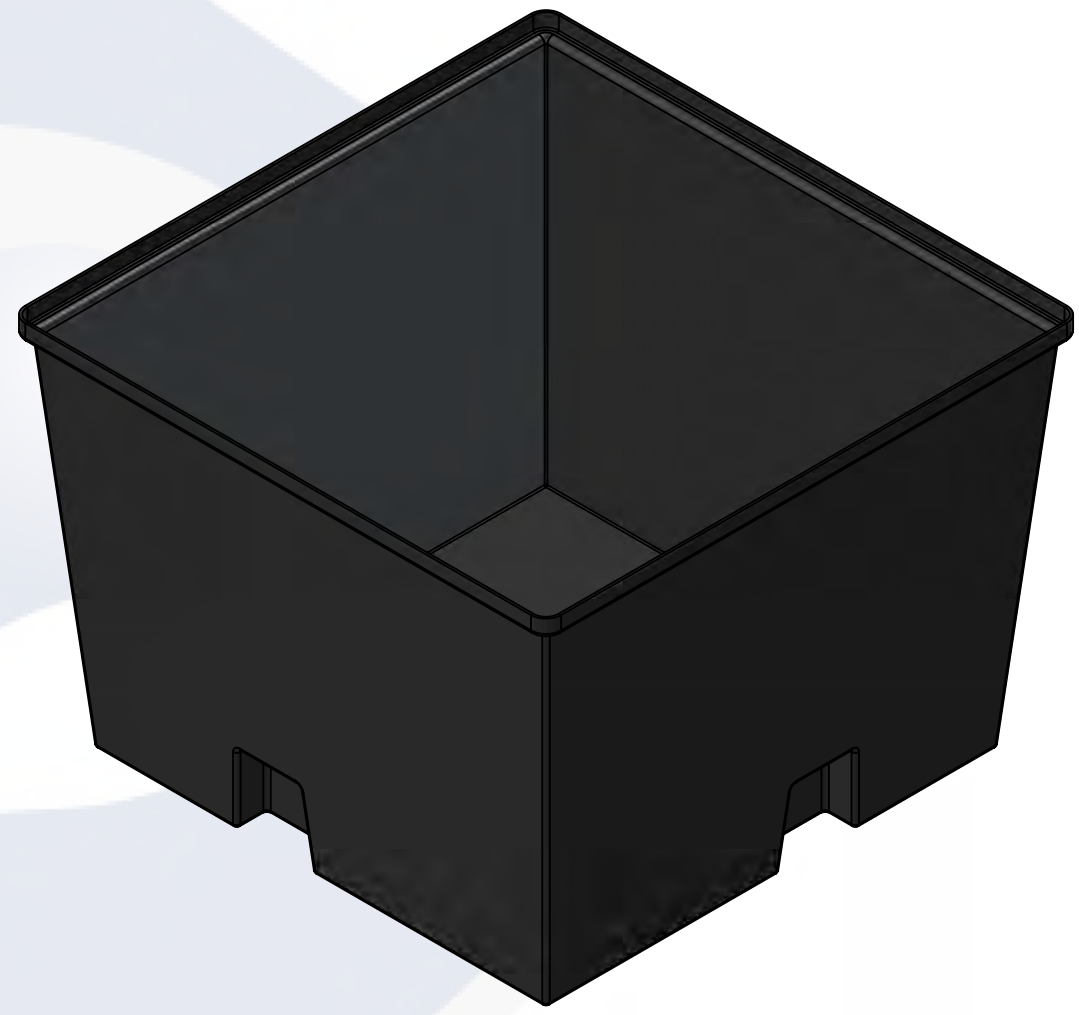
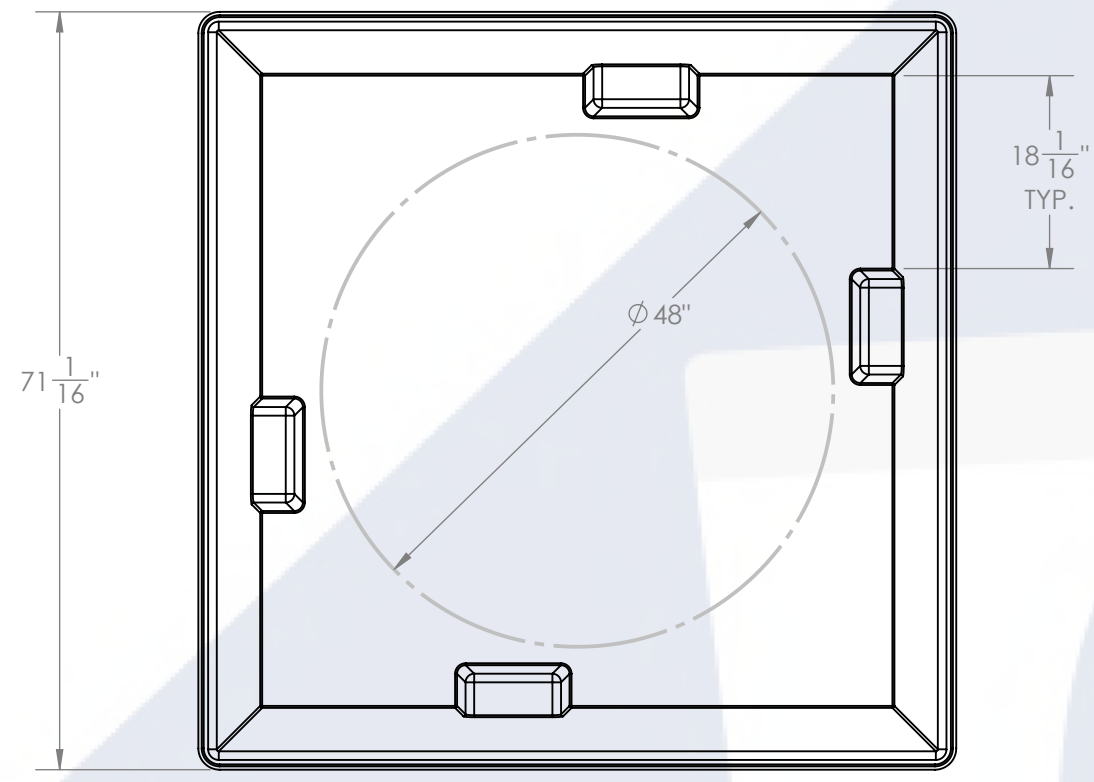



D
C
B
A

D
C
B
A



- NOTES:**
1. CAPACITY: 825 GAL. NOMINAL
 2. TANK MATERIAL: LLDPE W/ UV INHIBITOR
 3. SERVICE PRESSURE: ATMOSPHERIC

PROPRIETARY AND CONFIDENTIAL
 THE INFORMATION CONTAINED IN THIS DRAWING IS THE SOLE PROPERTY OF PEABODY ENGINEERING. ANY REPRODUCTION IN PART OR AS A WHOLE WITHOUT THE WRITTEN PERMISSION OF PEABODY ENGINEERING IS PROHIBITED.

UNLESS OTHERWISE SPECIFIED:		NAME	DATE	
DIMENSIONS ARE IN INCHES TOLERANCES: ±1/4" ANGULAR: ± .5° ONE PLACE DECIMAL: ± .25 TWO PLACE DECIMAL: ± .125 THREE PLACE DECIMAL: ± .063		DRAWN	RFR 01/28/19	
TANK MATERIAL: LLDPE		CHECKED		PROJECT: PROCHEM® CONTAINMENT BASIN
INNER TANK S/N:		ENG APPR.		CUSTOMER: PEABODY STANDARD
OUTER TANK S/N:		MFG APPR.		SITE/LOCATION: FOB: CORONA, CA
CUSTOMER PO#		Q.A.		SALES ORDER: 253-33343
DO NOT SCALE DRAWING		ALTERNATIVE VERSIONS MATERIALS: XLPE, PPL, PVDF COLORS: NATURAL, BLUE OR BLACK AVAILABLE WITH FRP WRAP		SIZE DESC. REV. B PROCHEM® BASIN - 825 GALLON, 525 & 750, 71" x 71" x 50" -
		CALL FOR PART NUMBERS		SCALE: 1:18 SHEET 1 OF 1